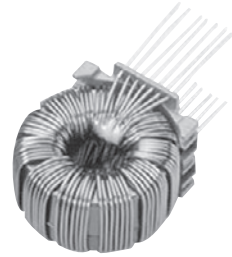


◆ MAJOR USES

- Choke coils for Power Factor Corrective circuit
- Output choke coils for inverter smoothing

◆ FEATURES

- Miniaturization in comparison with AM series coils by about 30 percent
- Excellent D.C.bias characteristics



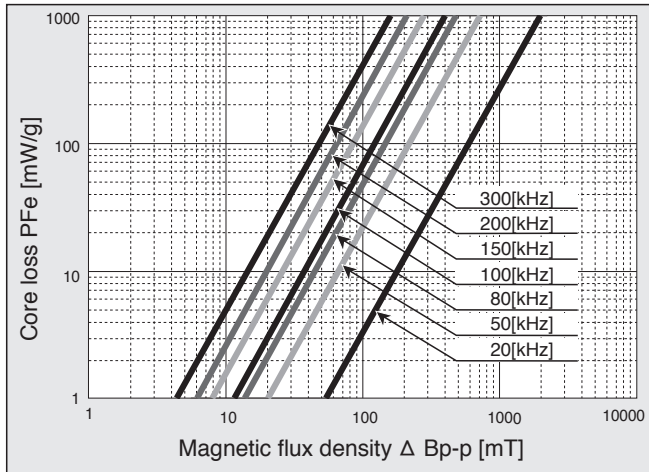
◆ CORE STANDARD SPECIFICATIONS

Core Part No. (Old Core Part No.)	Abbreviation	Cross Sectional Area cm ²	Magnetic Path Length cm	Outside Dimensions			Inductance Coefficient AL Value		
				Outer Diameter mm	Width mm	Height mm	Idc=0[A] μH	Rated Current* μH	Rated Current Ampere Turn [AT]
LNW462715J2 (W462715J2)	WQ	1.254	11.5	49.4	22.7	18.0	0.076	0.061	1760
LNW462720J2 (W462720J2)	WC	1.634	11.5	49.4	22.7	23.0	0.094	0.080	1800
LNW462725J2 (W462725J2)	WK	2.043	11.5	49.4	22.7	28.0	0.133	0.106	1900
LNW603525J2 (W603525J2)	WL	2.688	14.9	66.7	29.3	29.2	0.135	0.109	2500

*100[kHz], ±25%

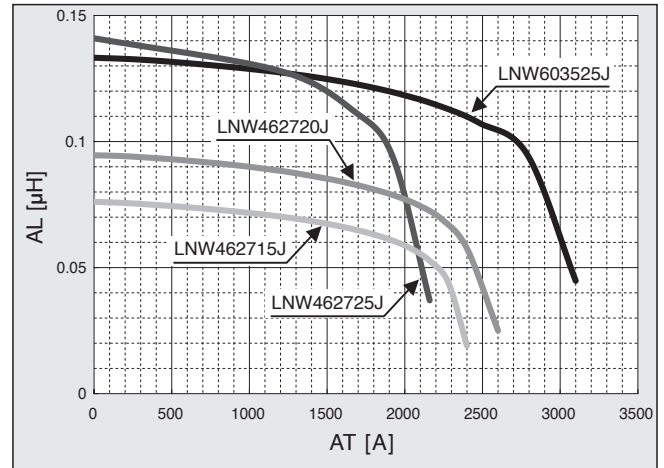
◆ CORE LOSS CHARACTERISTICS (Magnetic Flux Density Dependency)

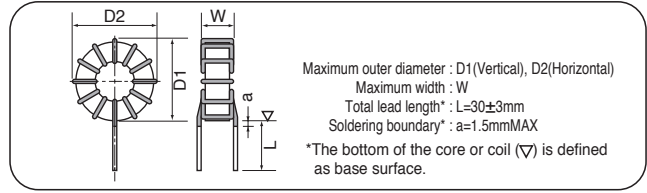
- AW choke



◆ D.C. BIAS CHARACTERISTICS AL-AT

- AW core, Frequency : 100[kHz]





◆ COIL STANDARD SPECIFICATIONS

Coil Part No. (Old Coil Part No.)	Rated Current Arms	Peak Current A	Inductance ^{*1} (100kHz)		D.C.R. mΩ (max)	Winding mmφ×lines	Outside Dimensions		
			0[A] μH	Rating μH			D1 mm	D2 mm	W mm
◎ LAAW020251WKHV0E (AW20251WKHPBF)	20	28.3	270	250	20	1.0×5P	59.0	59.0	41.5
◎ LAAW030101WKHV0E (AW30101WKHPBF)	30	42.4	105	100	10	1.3×4P	57.0	57.0	41.5
LAAW040500WKHV0E (AW40500WKHPBF)	40	56.6	53	50	6	1.5×4P	57.0	57.0	41.5
LAAW020501WLHV0E (AW20501WLHPBF)	20	28.3	546	500	35	1.0×5P	78.5	78.5	46.0
LAAW030201WLHV0E (AW30201WLHPBF)	30	42.4	213	200	15	1.3×4P	78.5	78.5	46.0
LAAW040101WLHV0E (AW40101WLHPBF)	40	56.6	105	100	10	1.5×4P	78.5	78.5	46.0

*1 Rated inductance tolerance : ±25%, the inductance at current 0[A] indicates the reference value.
 There is a horizontal putting type in all items in the above list. "V" changes into "H" in last the third digit of the name of items.
 There are the type with the length putting seat and the horizontal putting seat in ◎ item.
 *Order the auxiliary pins separately if they are required for the pedestal.
 Please select them according to the situation.

◆ D.C. BIAS CHARACTERISTICS

● Core : LNW462725J2, LNW603525J2, Frequency : 100[kHz]

