

DLCAP™ DXG series



- It realizes further higher power density.
- DXG series improves the excellent low temperature characteristics, and it also supports high temperature environment (85°C).
- Suitable for electricity storage, battery assistance, short-term backups, etc.
- Also suitable for kinetic energy recapturing, start/stop, low temperature engine cranking application for automobile.



◆ SPECIFICATIONS

Items	Specifications	
Operating Temperature	-40°C ~ +85°C	
Capacitance Tolerance	-0%, +25% (A) (20°C)	
Temperature Characteristics	Capacitance Change	≤ ±30% of the measured value at 20°C
	Internal Resistance Change	≤ 500% of the internal resistance maximum value given in the ratings tables (-40°C)
Load Life Test	After the capacitors are subjected to the rated DC voltage at 85°C for 1500 hours, the following specifications shall be satisfied when they are restored to 20°C.	
	Capacitance Change	≤ ±30% of the capacitance rated value given in the ratings tables
	Internal Resistance Change	≤ 200% of the internal resistance maximum value given in the ratings tables
	After the capacitors are subjected to the rated DC voltage at 70°C for 3000 hours, the following specifications shall be satisfied when they are restored to 20°C.	
	Capacitance Change	≤ ±30% of the capacitance rated value given in the ratings tables
	Internal Resistance Change	≤ 150% of the internal resistance maximum value given in the ratings tables
Bias Humidity Test	After the capacitors are left at 40°C and 90 to 95%RH for 500 hours without voltage applied, the following specifications shall be satisfied when they are restored to 20°C.	
	Capacitance Change	≤ ±30% of the capacitance rated value given in the ratings tables
	Internal Resistance Change	≤ 200% of the internal resistance maximum value given in the ratings tables

◆ STANDARD RATINGS

● DXG series*3

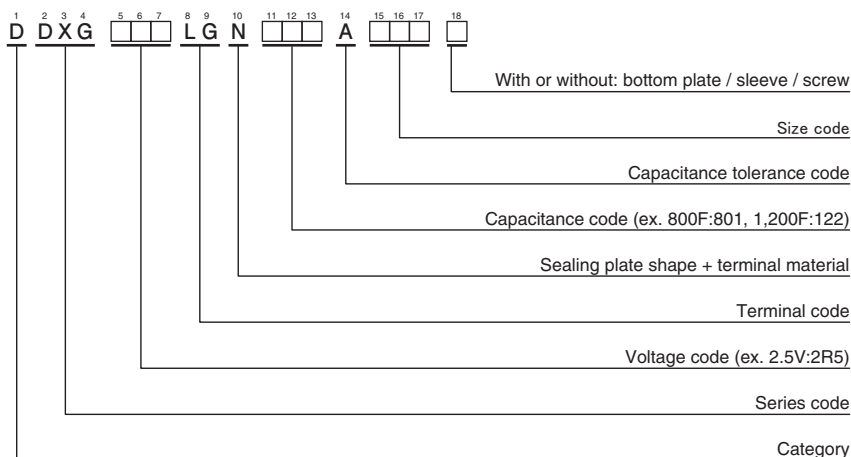
Rated Voltage [V]	Capacitance		Nominal Case Size		Internal Resistance		Weight*1 [g]	Energy Storage*2 [Wh]	Part No.
	Min. (rated) [F]	Typ. [F]	φ D [mm]	L [mm]	Typ. [mΩ]	Max. [mΩ]			
2.5	300	330	40	65	1.2	1.6	120	0.3	DDXG2R5LGN301AB65S
	590	650		105	0.7	1.0	200	0.6	DDXG2R5LGN591ABA5S
	910	1000		150	0.5	0.7	280	0.8	DDXG2R5LGN911ABF0S

* 1 Reference data

* 2 The energy storage capacity (Wh) described in this product is calculated based on "Guidebook on Transportation of Electric Double Layer Capacitors for Electrical and Electronic Equipment (JEITA)".

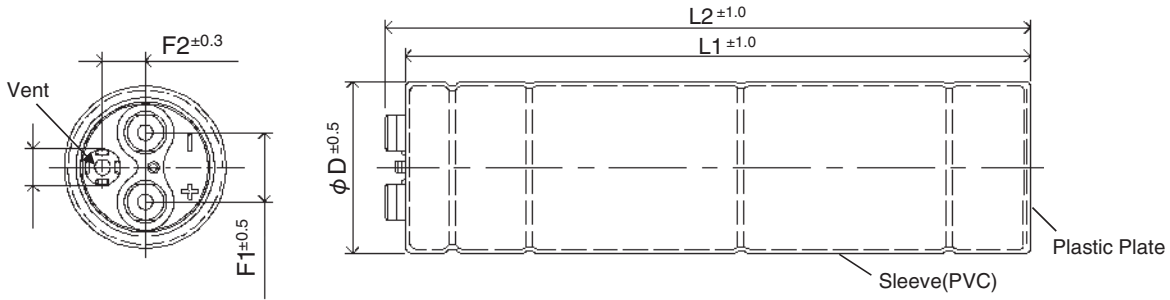
* 3 In the DXG series, the capacity specification are set to the minimum values.

◆ PART NUMBERING SYSTEM



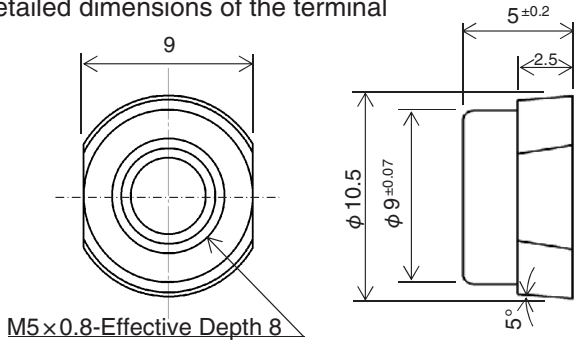
DLCAP™ DXG series

◆ DIMENSIONS [mm]



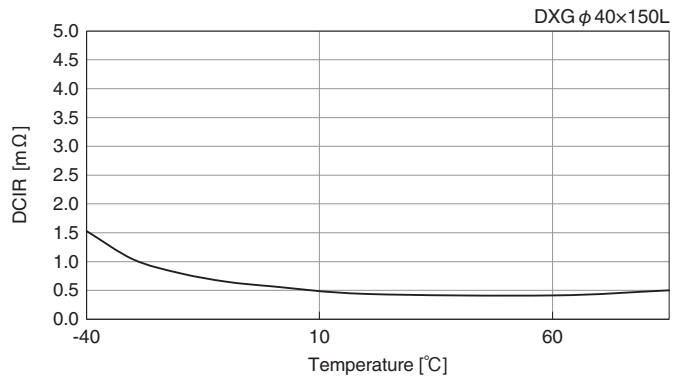
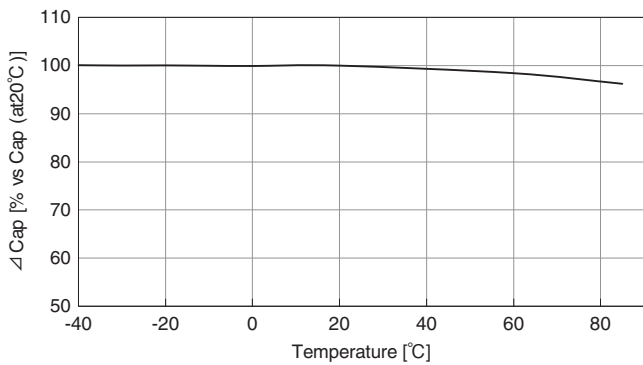
Part No.	ϕD [mm]	L 1 [mm]	L 2 [mm]	F1 [mm]	F2 [mm]
DDXG2R5LGN301AB65S	40.4	66	71	17.0	10.5
DDXG2R5LGN591ABA5S		106	111		
DDXG2R5LGN911ABF0S		151	156		

Detailed dimensions of the terminal



< Screw specification >
 Plus hexagon-headed screw : M5×0.8×10
 Maximum screw tightening torque : 3.23Nm

◆ Temperature Characteristics of Capacitance & DCIR



◆ 85°C Load Life Test

