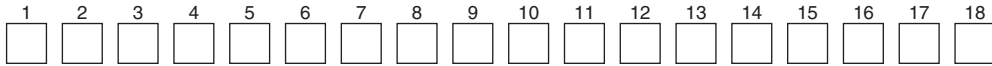


Part numbering system

Our part numbering system is common to all of Nippon Chemi-Con's subsidiaries worldwide, and has been switching the conventional part numbering system. The part number uses 18-digit codes to express information of principal product specifications such as product category, series name, rated voltage, capacitance, case size and RoHS compliance.

●Categories



Code	Details
A	Conductive Polymer Aluminum Solid Capacitors (Polar)
H	Conductive Polymer Hybrid Aluminum Electrolytic Capacitors (Polar)
E	Aluminum Electrolytic Capacitors (Polar)
B	Aluminum Electrolytic Capacitors (Bi-polar)
K	Multilayer Ceramic Capacitors
F	Film Capacitors
D	Electric Double Layer Capacitors
T	Metal Oxide Varistors
L	Amorphous Choke Coils

●Example

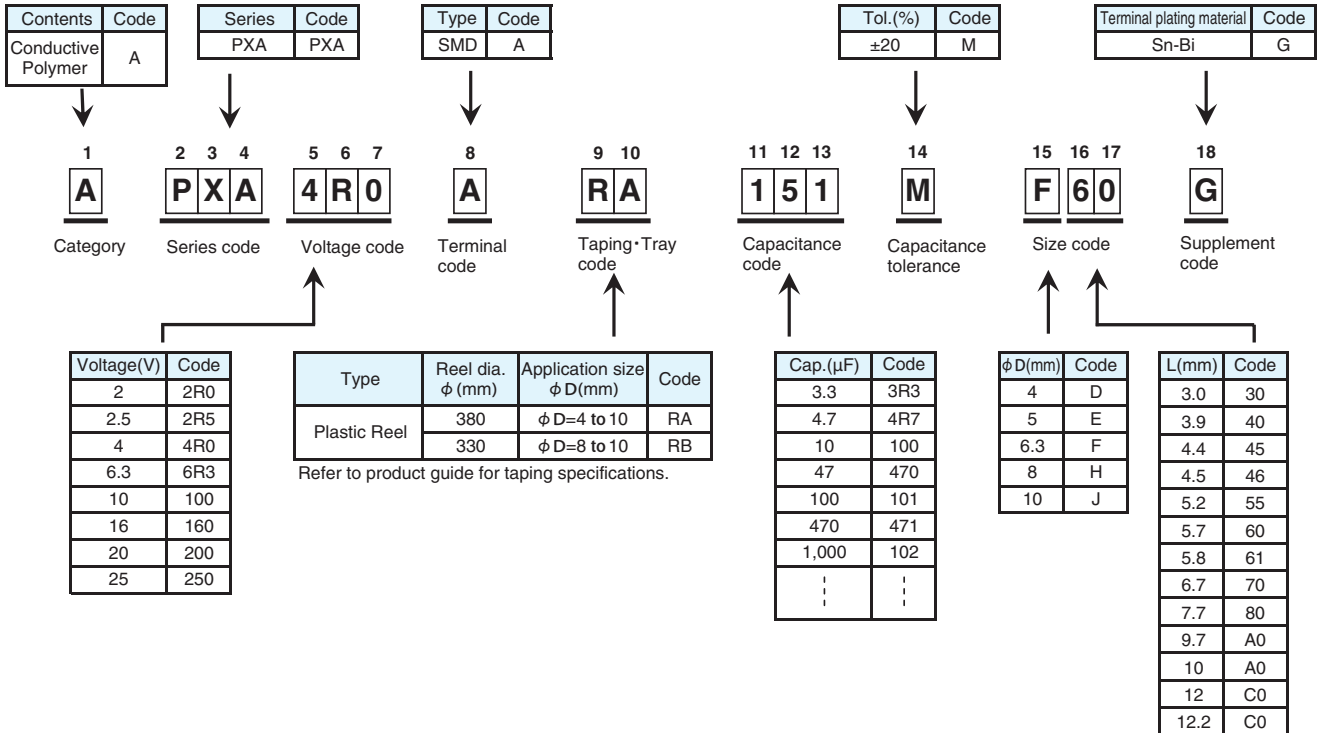
Product type	Part number (Example)	Conventional part number (Ref.)
Surface mount type	EMVE160ADA100MD55G	MVE16VC10MD55E0
Radial lead type	EKMQ6R3ETC102MHB5D	TC04RKM6.3VB1000MF50E0
Snap-in type	EKMQ201VSN471MP30S	KMQ200VSSN470M22BE0
Screw mount terminal type	ERWE551LGC821MCD0M	RWE550LGSN820MCC13EA

Product code guide (Conductive polymer Surface mount type)

(Example : PXA series, 4V-150 μ F, ϕ 6.3 \times 5.7L)



Please refer to the following table

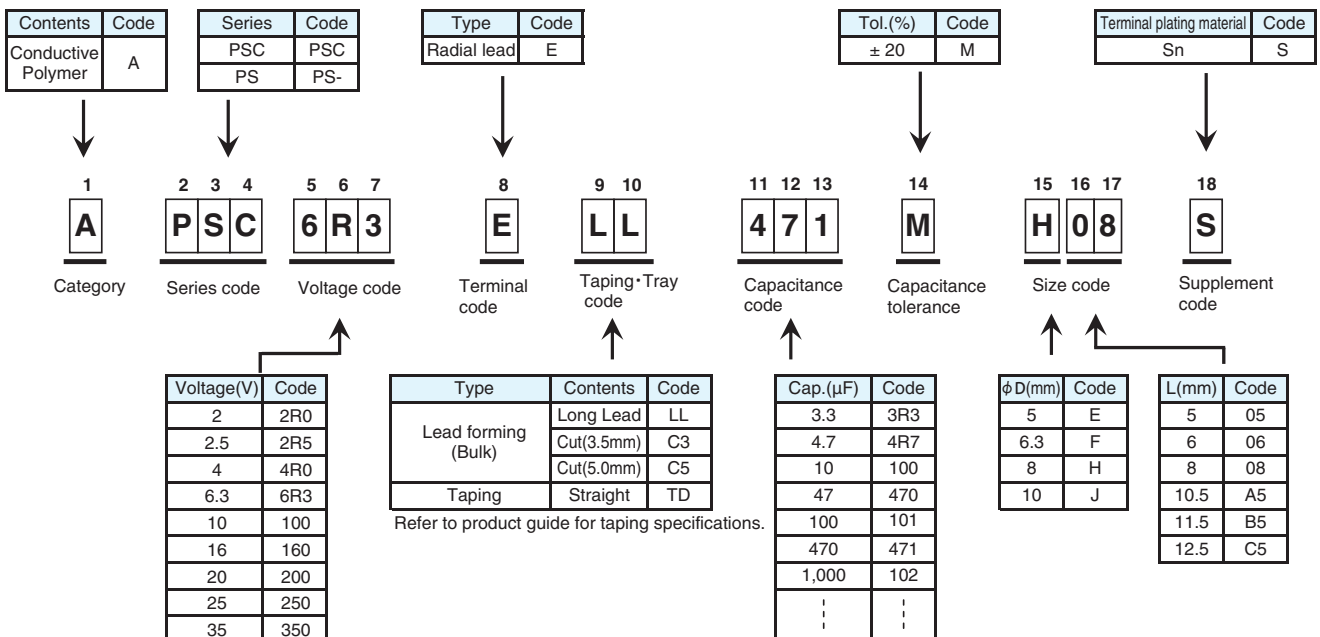


*Refer to the appendix (Part number) for codes not listed here.

Product code guide (Conductive polymer Radial lead type)

(Example : PSC series, 6.3V-470 μ F, ϕ 8 \times 8L, Long Lead with bulk)

Please refer to the following table



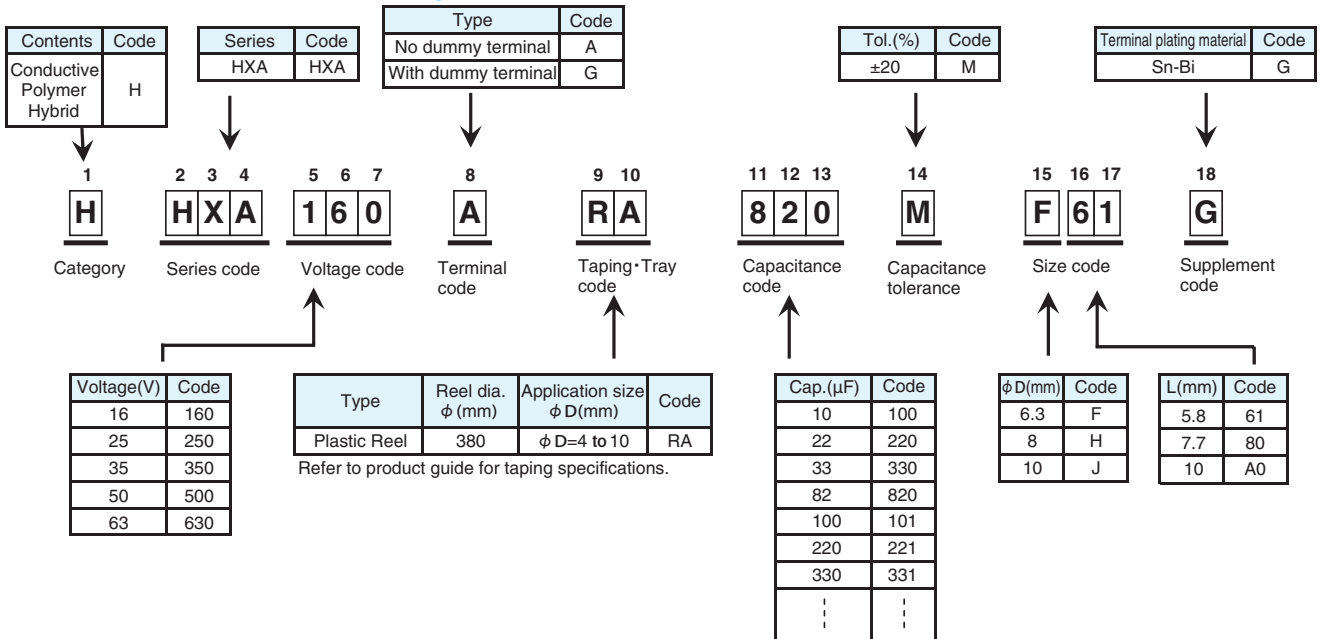
*Refer to the appendix (Part number) for codes not listed here.

Product code guide (Conductive polymer hybrid Surface mount type)

(Example : HXA series, 16V-82μF, φ6.3×5.8L)



Please refer to the following table



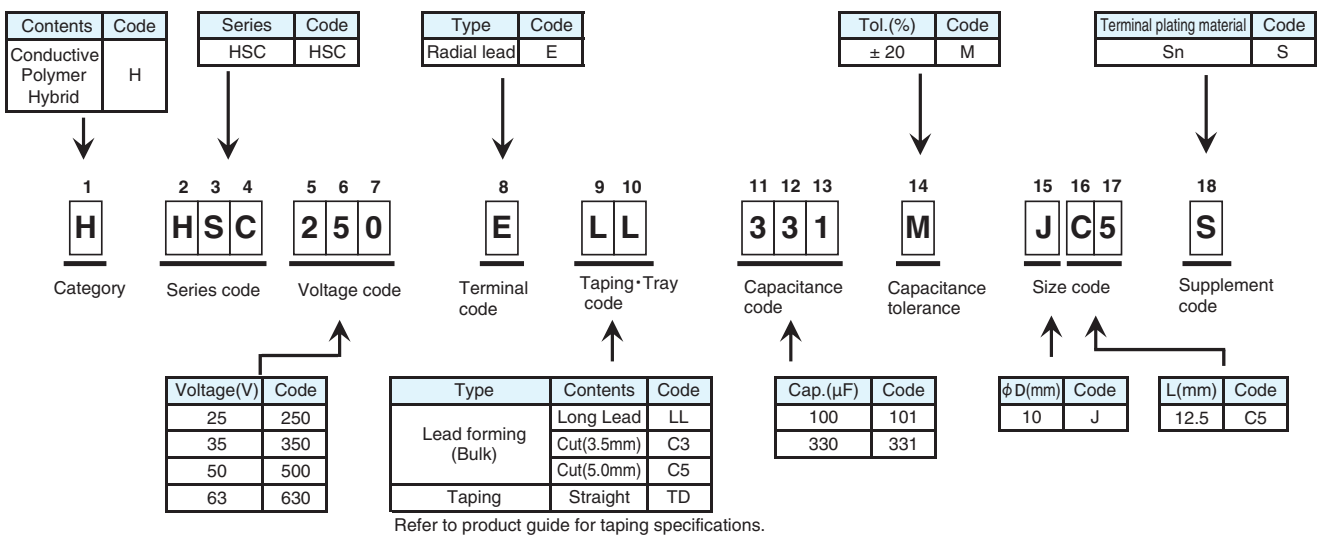
*Refer to the appendix (Part number) for codes not listed here.

Product code guide (Conductive polymer hybrid Radial lead type)

(Example : HSC series, 25V-330μF, φ10×12.5L, Long Lead with bulk)



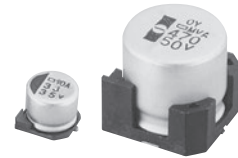
Please refer to the following table



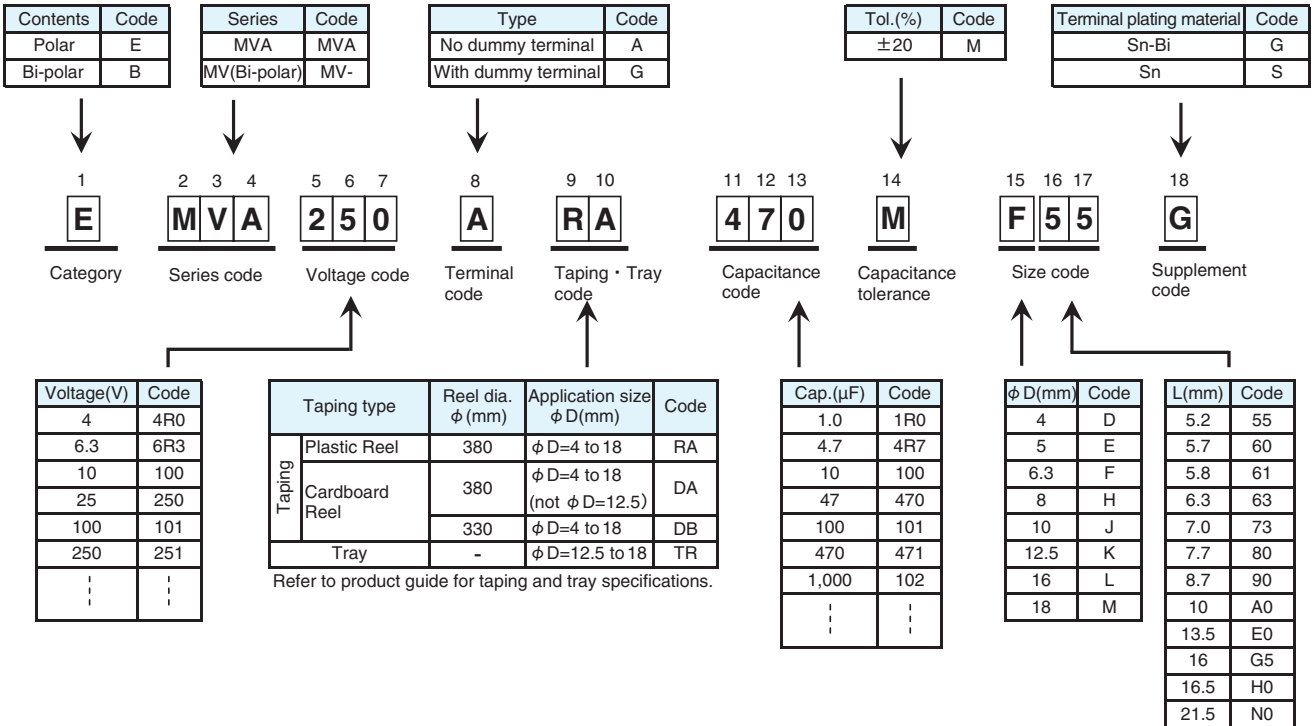
*Refer to the appendix (Part number) for codes not listed here.

Product code guide (Surface mount type)

(Example : MVA series, 25V-47 μ F, ϕ 6.3 \times 5.2L)



Please refer to the following table

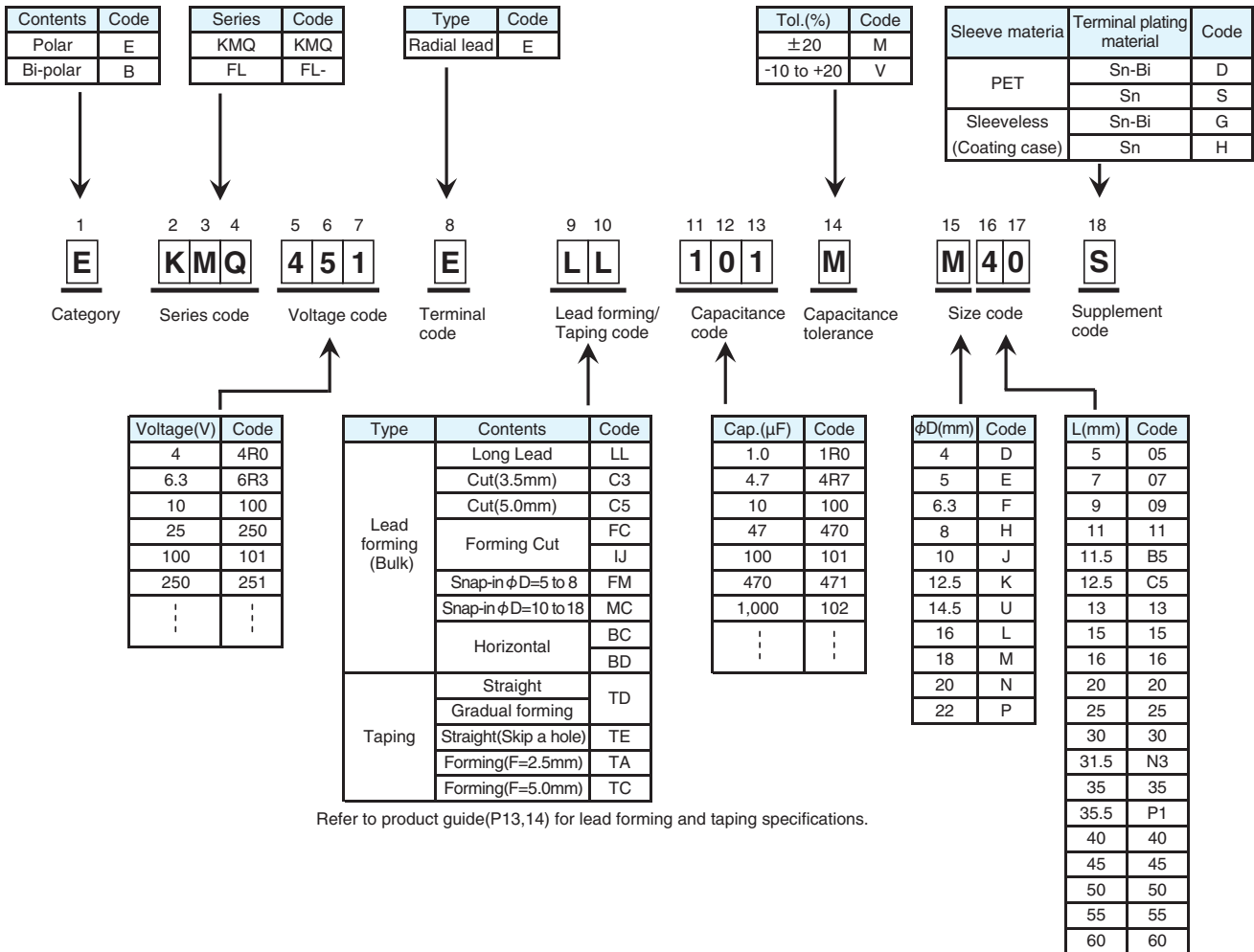


*Refer to the appendix (Part number) for codes not listed here.

Product code guide (Radial lead type)

(Example : KMQ series, 450V-100 μ F, ϕ 18 \times 40L, Long lead with bulk)

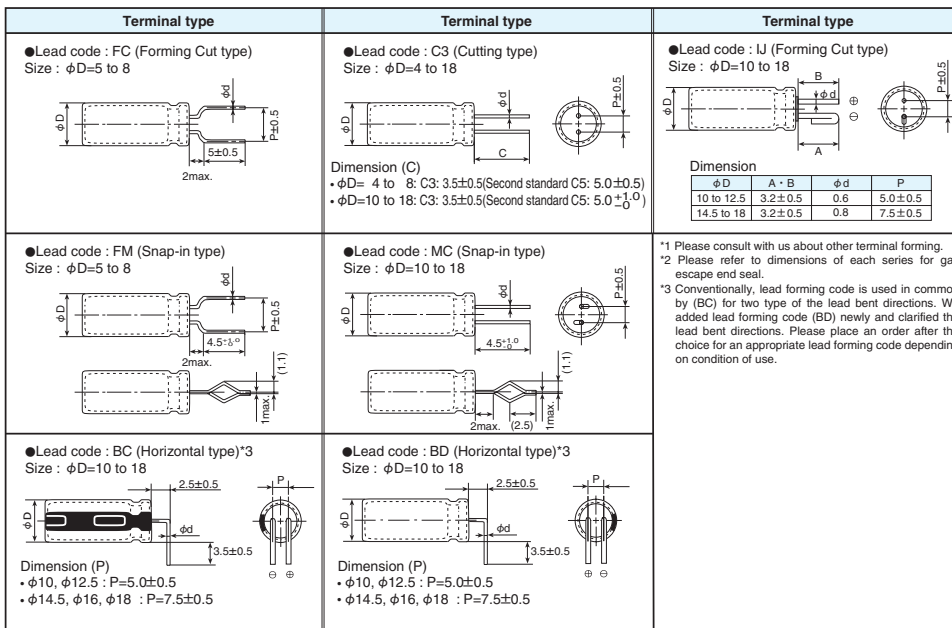
Please refer to the following table



Refer to product guide(P13,14) for lead forming and taping specifications.

*Refer to the appendix (Part number) for codes not listed here.

CUT/FORMED LEAD



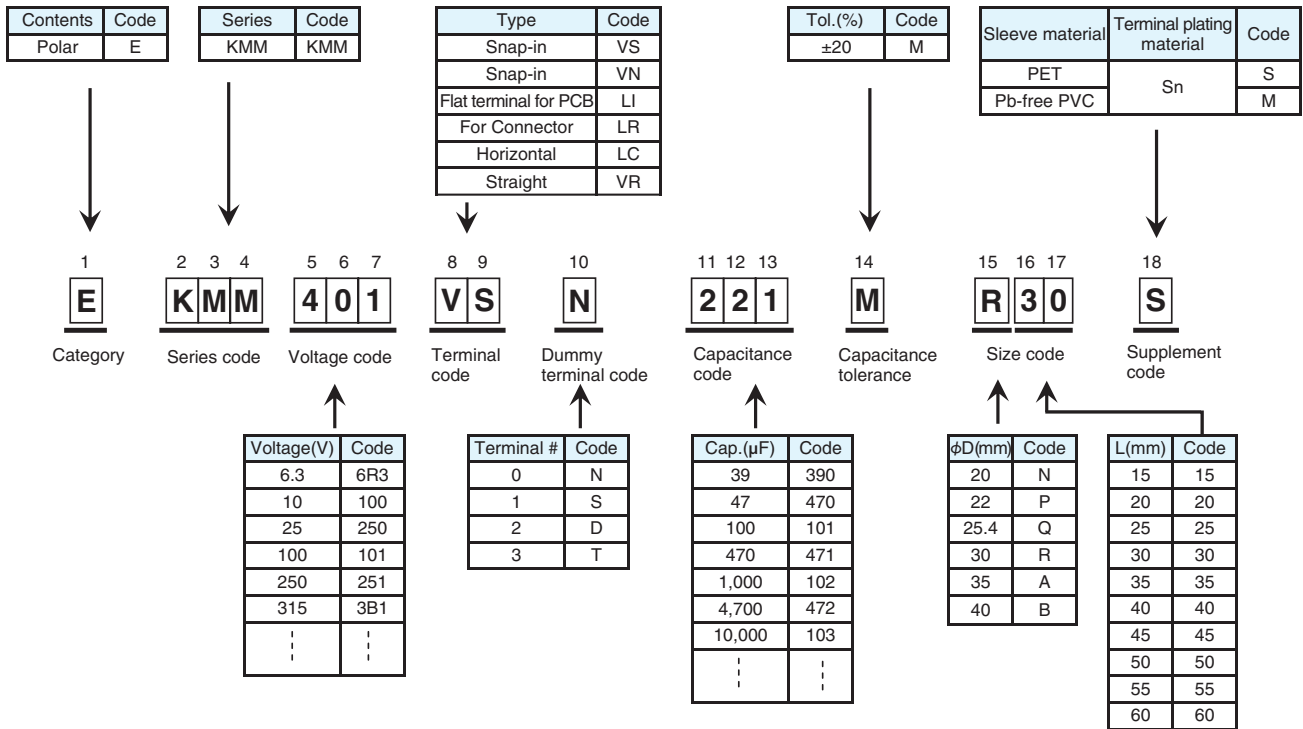
Product code guide (Snap-in type)

(Example : KMM series, 400V-220 μ F, ϕ 30 \times 30L)

Please refer to the following table



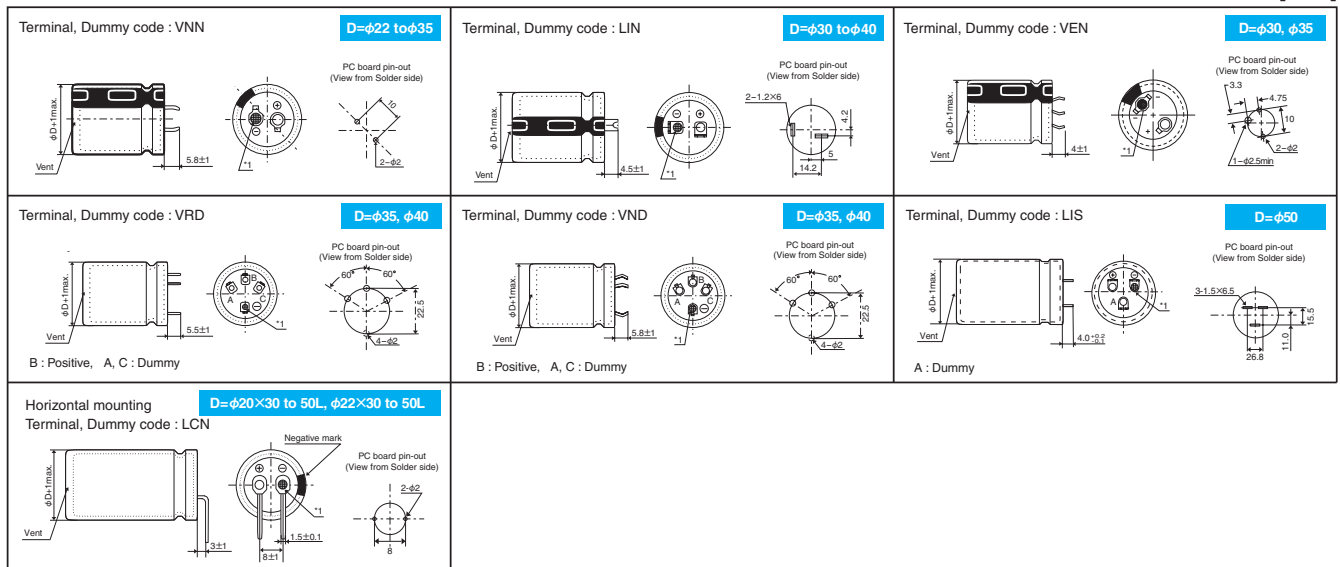
For more details, refer to Product Guide (P16).



*Refer to the appendix (Part number) for codes not listed here.

Available terminals

[mm]



*1 Negative terminal : Mesh marking

*2 Use the dummy terminals for mechanical support only.

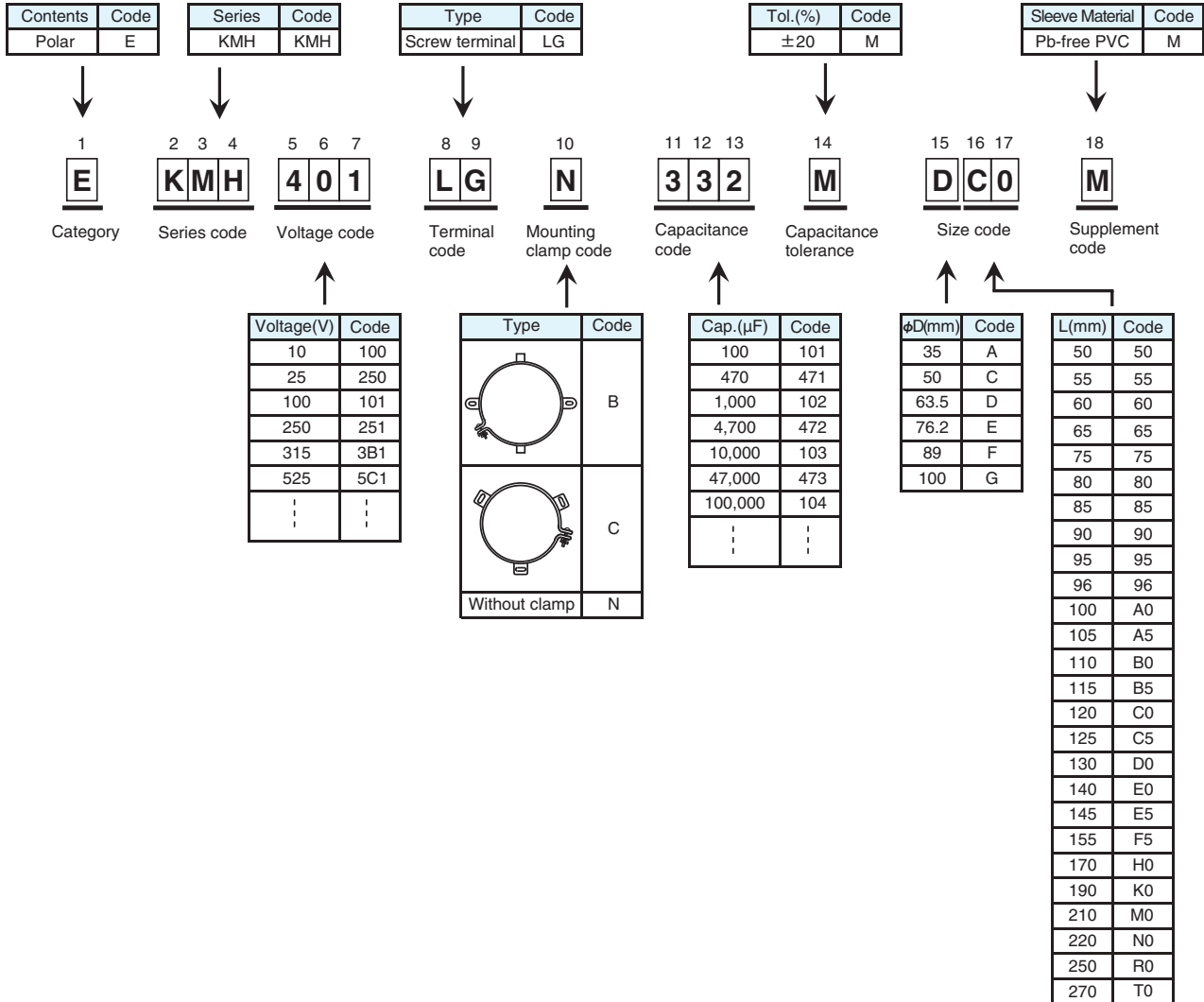
The dummy terminals must not be connected to any circuit trace on PC board, be sure to electrically isolate from the negative and the positive terminals.

Product code guide (Screw mount terminal type)

(Example : KMH series, 400V-3,300 μ F, ϕ 63.5 \times 120L, Without mounting clamp)



Please refer to the following table



*Refer to the appendix (Part number) for codes not listed here.