

- **Large Can**
- **Screw Terminals**
- **High Ripple**
- **6.3 to 400VDC  
Voltage Range**
- **Large  
Capacitance**
- **RoHS Compliant**
- **+105°C  
Maximum  
Temperature**



The U32D series allows for extremely high ripple currents for applications such as inverter designs and motor controllers. This series of capacitors offers very large capacitance of up to 2.2F and a maximum temperature rating of +105°C which allows a high operating temperature without sacrificing life. These capacitors are available with a variety of high current English or Metric thread terminals. Mounting options include a three-footed clamp or bottom threaded stud. Custom designs are available upon request.

## Summary of Specifications

- **Screw terminals: high and low post, English and Metric thread.**
- **Capacitance range: 180µF to 2.2F.**
- **Voltage range: 6.3 to 400VDC.**
- **Category temperature range: -40°C to +105°C.**
- **Leakage current: 0.02CV(µA) or 5mA, whichever is smaller, after 5 minutes at +25°C.**
- **Standard capacitance tolerance: ±20%**
- **Nominal case size (D × L): D = 35mm (1.375") to 89mm (3.500"); L = 41mm (1.625") to 219mm (8.625").**
- **Rated lifetime: 2,000 hours at +105°C with rated ripple current applied.**

# U32D Series

## U32D Specifications - Screw Terminals

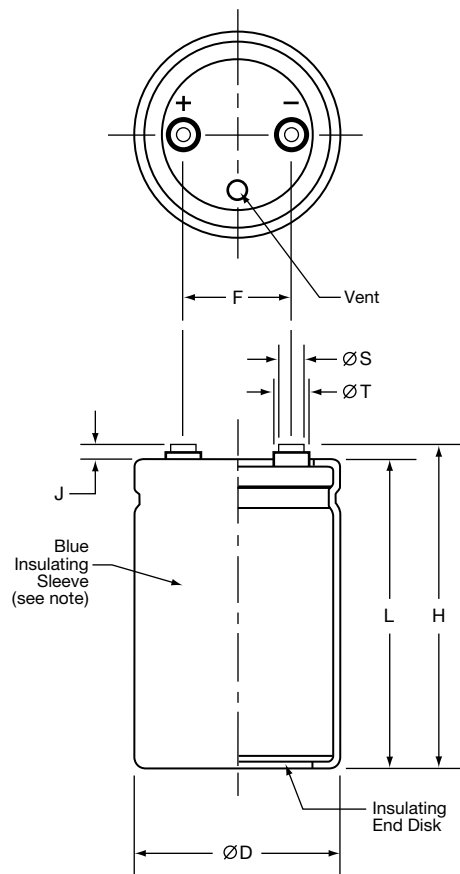
Item	Characteristics																																																																																										
Category Temperature Range	-40 to +105°C																																																																																										
Rated Voltage Range	6.3 to 400VDC																																																																																										
Capacitance Range	180μF to 2.2F at +25°C, 120Hz																																																																																										
Capacitance Tolerance	±20% (M) at +25°C, 120Hz																																																																																										
Leakage Current	I = 0.02CV (μA) or 5mA, whichever is smaller, after 5 minutes at +25°C. Where I = Max. leakage current (μA), C = Nominal capacitance (μF) and V = Rated voltage (V)																																																																																										
Rated Ripple Current Multipliers	<p>Ambient Temperature (°C)</p> <table border="1"> <tr> <td>≤ +45°C</td> <td>+65°C</td> <td>+85°C</td> <td>+105°C</td> </tr> <tr> <td>1.41</td> <td>1.29</td> <td>1.00</td> <td>0.57</td> </tr> </table> <p>Frequency (Hz)</p> <table border="1"> <thead> <tr> <th>DC Rated Voltage</th> <th>Case Diameter</th> <th>50Hz</th> <th>120Hz</th> <th>300Hz</th> <th>1kHz</th> <th>10kHz</th> <th>50kHz</th> </tr> </thead> <tbody> <tr> <td rowspan="2">6.3-50V</td> <td>ø35-ø76.2</td> <td>0.95</td> <td>1.00</td> <td>1.03</td> <td>1.05</td> <td>1.09</td> <td>1.12</td> </tr> <tr> <td>ø35</td> <td>0.90</td> <td>1.00</td> <td>1.06</td> <td>1.10</td> <td>1.18</td> <td>1.22</td> </tr> <tr> <td rowspan="2">63-80V</td> <td>ø50.8-ø76.2</td> <td>0.95</td> <td>1.00</td> <td>1.03</td> <td>1.05</td> <td>1.09</td> <td>1.12</td> </tr> <tr> <td>ø35</td> <td>0.82</td> <td>1.00</td> <td>1.12</td> <td>1.22</td> <td>1.30</td> <td>1.33</td> </tr> <tr> <td rowspan="3">100V</td> <td>ø50.8</td> <td>0.90</td> <td>1.00</td> <td>1.06</td> <td>1.10</td> <td>1.18</td> <td>1.22</td> </tr> <tr> <td>ø63.5-ø76.2</td> <td>0.95</td> <td>1.00</td> <td>1.03</td> <td>1.05</td> <td>1.09</td> <td>1.12</td> </tr> <tr> <td>ø35</td> <td>0.80</td> <td>1.00</td> <td>1.19</td> <td>1.34</td> <td>1.46</td> <td>1.52</td> </tr> <tr> <td rowspan="3">160-250V</td> <td>ø50.8-ø63.5</td> <td>0.81</td> <td>1.00</td> <td>1.14</td> <td>1.26</td> <td>1.36</td> <td>1.41</td> </tr> <tr> <td>ø76.2</td> <td>0.82</td> <td>1.00</td> <td>1.12</td> <td>1.22</td> <td>1.30</td> <td>1.33</td> </tr> <tr> <td>ø35-ø89</td> <td>0.80</td> <td>1.00</td> <td>1.19</td> <td>1.34</td> <td>1.46</td> <td>1.52</td> </tr> </tbody> </table>	≤ +45°C	+65°C	+85°C	+105°C	1.41	1.29	1.00	0.57	DC Rated Voltage	Case Diameter	50Hz	120Hz	300Hz	1kHz	10kHz	50kHz	6.3-50V	ø35-ø76.2	0.95	1.00	1.03	1.05	1.09	1.12	ø35	0.90	1.00	1.06	1.10	1.18	1.22	63-80V	ø50.8-ø76.2	0.95	1.00	1.03	1.05	1.09	1.12	ø35	0.82	1.00	1.12	1.22	1.30	1.33	100V	ø50.8	0.90	1.00	1.06	1.10	1.18	1.22	ø63.5-ø76.2	0.95	1.00	1.03	1.05	1.09	1.12	ø35	0.80	1.00	1.19	1.34	1.46	1.52	160-250V	ø50.8-ø63.5	0.81	1.00	1.14	1.26	1.36	1.41	ø76.2	0.82	1.00	1.12	1.22	1.30	1.33	ø35-ø89	0.80	1.00	1.19	1.34	1.46	1.52
≤ +45°C	+65°C	+85°C	+105°C																																																																																								
1.41	1.29	1.00	0.57																																																																																								
DC Rated Voltage	Case Diameter	50Hz	120Hz	300Hz	1kHz	10kHz	50kHz																																																																																				
6.3-50V	ø35-ø76.2	0.95	1.00	1.03	1.05	1.09	1.12																																																																																				
	ø35	0.90	1.00	1.06	1.10	1.18	1.22																																																																																				
63-80V	ø50.8-ø76.2	0.95	1.00	1.03	1.05	1.09	1.12																																																																																				
	ø35	0.82	1.00	1.12	1.22	1.30	1.33																																																																																				
100V	ø50.8	0.90	1.00	1.06	1.10	1.18	1.22																																																																																				
	ø63.5-ø76.2	0.95	1.00	1.03	1.05	1.09	1.12																																																																																				
	ø35	0.80	1.00	1.19	1.34	1.46	1.52																																																																																				
160-250V	ø50.8-ø63.5	0.81	1.00	1.14	1.26	1.36	1.41																																																																																				
	ø76.2	0.82	1.00	1.12	1.22	1.30	1.33																																																																																				
	ø35-ø89	0.80	1.00	1.19	1.34	1.46	1.52																																																																																				
Endurance (Load Life)	<p>The following specifications shall be satisfied when the capacitors are restored to +25°C after subjecting them to DC voltage for 2,000 hours at +105°C with the rated ripple current applied. The sum of the DC voltage and peak AC voltage must not exceed the full rated voltage of the capacitors.</p> <p>Capacitance change: ≤ 20% from initial measurement ESR change : ≤ 200% of initial specified limit Leakage current : ≤ initial specified limit</p>																																																																																										
Shelf Test	<p>The following specifications shall be satisfied when the capacitors are restored to +25°C after exposing them for 500 hours at +105°C without voltage applied. The rated voltage shall be applied to the capacitors for a minimum of 30 minutes, at least 24 hours and not more than 48 hours before the measurements.</p> <p>Capacitance change: ≤ 20% from initial measurement ESR change : ≤ 200% of initial specified limit Leakage current : ≤ initial specified limit</p>																																																																																										
Vibration Rating	10-55Hz, 10g sinusoidal in three axes, 2 hours per axis.																																																																																										
Maximum Tightening Torque	<table border="1"> <thead> <tr> <th>Terminal Code</th> <th>HP/LP</th> <th>HL/ML</th> <th>CD</th> <th>CP</th> <th>CH</th> <th>CA</th> <th>CS</th> </tr> </thead> <tbody> <tr> <td>Thread Size</td> <td>10-32 NF-2B</td> <td>M5x0.8-6H</td> <td></td> <td>1/4-28 NF-2B</td> <td></td> <td>M6x1-6H</td> <td></td> </tr> <tr> <td>3 Threads Engaged</td> <td colspan="3">2.0 N·m (18.0 in·lb)</td> <td colspan="4">4.0 N·m (35.0 in·lb)</td> </tr> <tr> <td>6 Threads Engaged</td> <td colspan="3">2.8 N·m (25.0 in·lb)</td> <td colspan="4">6.2 N·m (55.0 in·lb)</td> </tr> </tbody> </table>	Terminal Code	HP/LP	HL/ML	CD	CP	CH	CA	CS	Thread Size	10-32 NF-2B	M5x0.8-6H		1/4-28 NF-2B		M6x1-6H		3 Threads Engaged	2.0 N·m (18.0 in·lb)			4.0 N·m (35.0 in·lb)				6 Threads Engaged	2.8 N·m (25.0 in·lb)			6.2 N·m (55.0 in·lb)																																																													
Terminal Code	HP/LP	HL/ML	CD	CP	CH	CA	CS																																																																																				
Thread Size	10-32 NF-2B	M5x0.8-6H		1/4-28 NF-2B		M6x1-6H																																																																																					
3 Threads Engaged	2.0 N·m (18.0 in·lb)			4.0 N·m (35.0 in·lb)																																																																																							
6 Threads Engaged	2.8 N·m (25.0 in·lb)			6.2 N·m (55.0 in·lb)																																																																																							
Typical Inductance (nH) at 1MHz	<table border="1"> <thead> <tr> <th rowspan="2">Case Diameter (mm)</th> <th colspan="7">Terminal Code</th> </tr> <tr> <th>HP/LP</th> <th>HL/ML</th> <th>CD</th> <th>CP</th> <th>CH</th> <th>CA</th> <th>CS</th> </tr> </thead> <tbody> <tr> <td>ø35.0</td> <td>—</td> <td>—</td> <td>NA</td> <td>NA</td> <td>NA</td> <td>NA</td> <td>NA</td> </tr> <tr> <td>ø50.8</td> <td>—</td> <td>—</td> <td>NA</td> <td>NA</td> <td>NA</td> <td>NA</td> <td>NA</td> </tr> <tr> <td>ø63.5</td> <td>—</td> <td>—</td> <td>—</td> <td>—</td> <td>—</td> <td>—</td> <td>—</td> </tr> <tr> <td>ø76.2</td> <td>30</td> <td>30</td> <td>25</td> <td>20</td> <td>25</td> <td>20</td> <td>25</td> </tr> <tr> <td>ø89.0</td> <td>30</td> <td>30</td> <td>25</td> <td>20</td> <td>25</td> <td>20</td> <td>25</td> </tr> </tbody> </table>	Case Diameter (mm)	Terminal Code							HP/LP	HL/ML	CD	CP	CH	CA	CS	ø35.0	—	—	NA	NA	NA	NA	NA	ø50.8	—	—	NA	NA	NA	NA	NA	ø63.5	—	—	—	—	—	—	—	ø76.2	30	30	25	20	25	20	25	ø89.0	30	30	25	20	25	20	25																																			
Case Diameter (mm)	Terminal Code																																																																																										
	HP/LP	HL/ML	CD	CP	CH	CA	CS																																																																																				
ø35.0	—	—	NA	NA	NA	NA	NA																																																																																				
ø50.8	—	—	NA	NA	NA	NA	NA																																																																																				
ø63.5	—	—	—	—	—	—	—																																																																																				
ø76.2	30	30	25	20	25	20	25																																																																																				
ø89.0	30	30	25	20	25	20	25																																																																																				
Custom Designs	Custom CV values per case size and termination type may be available upon request. Contact appropriate representative with specific requirements.																																																																																										

# U32D Series

## Diagram of Dimensions - Screw Terminals

### Large Can/Screw Terminals

Unit: mm (inches)



### Case Dimensions and Standard Box Quantities

Case Size Code	ØD +2.0 (0.080)	L ±1.0 (0.040)	F ±0.25 (0.010)	Standard Box Quantity
A41 A54 A67 A79 A92 AA5 AB7 AD0 AE3	35.0 (1.375)	41 (1.625) 54 (2.125) 67 (2.625) 79 (3.125) 92 (3.625) 105 (4.125) 117 (4.625) 130 (5.125) 143 (5.625)	12.7 (0.500)	100
C48 C54 C67 C79 C92 CA5 CB7 CD0 CE3	50.8 (2.000)	48 (1.875) 54 (2.125) 67 (2.625) 79 (3.125) 92 (3.625) 105 (4.125) 117 (4.625) 130 (5.125) 143 (5.625)	22.2 (0.875)	49
D79 DA5 DB7 DD0 DE3	63.5 (2.500)	79 (3.125) 105 (4.125) 117 (4.625) 130 (5.125) 143 (5.625)	28.6 (1.125)	20
E92 EA5 EB7 ED0 EE3 EM9	76.2 (3.000)	92 (3.625) 105 (4.125) 117 (4.625) 130 (5.125) 143 (5.625) 219 (8.625)	31.8 (1.250)	16  9
FA5 FB7 FE3	89.0 (3.500)	105 (4.125) 117 (4.625) 143 (5.625)	31.8 (1.250)	5

#### Note:

In some cases, the color of the sleeve may change slightly due to the operating conditions, however, the discoloration will not impair capacitor function.

### Terminal Specifications

Terminal Code	Available Case Diameter		Thread Size	Minimum Thread Depth	J ±0.5 (0.020)	H ±2.0 (0.080)	ØS ±0.25 (0.010)	ØT ±0.25 (0.010)
	ØD Code	ØD mm (inches)						
HP	A-E	35.0 - 76.2 (1.375 - 3.000)	10-32 NF-2B	9.5 (0.375)	6.4 (0.250)	L+J	8.0 (0.313)	11.1 (0.438)
LP	A-E	35.0 - 76.2 (1.375 - 3.000)	10-32 NF-2B	5.6 (0.219)	1.6 (0.063)	L+J	8.0 (0.313)	—
HL	A-E	35.0 - 76.2 (1.375 - 3.000)	M5x0.8-6H	9.5 (0.375)	6.4 (0.250)	L+J	8.0 (0.313)	11.1 (0.438)
ML	A-E	35.0 - 76.2 (1.375 - 3.000)	M5x0.8-6H	5.6 (0.219)	1.6 (0.063)	L+J	8.0 (0.313)	11.1 (0.438)
CD	D-E	63.5 - 76.2 (2.500 - 3.000)	M5x0.8-6H	8.5 (0.335)	5.0 (0.200)	L+J	13.0 (0.512)	18.8 (0.740)
CP	D-F	63.5 - 89.0 (2.500 - 3.500)	¼-28 NF-2B	8.7 (0.344)	2.4 (0.093)	L+J	17.5 (0.689)	—
CH	D-F	63.5 - 89.0 (2.500 - 3.500)	¼-28 NF-2B	11.9 (0.468)	6.4 (0.250)	L+J	17.5 (0.689)	—
CA	D-F	63.5 - 89.0 (2.500 - 3.500)	M6x1-6H	8.7 (0.344)	2.4 (0.093)	L+J	17.5 (0.689)	—
CS	D-F	63.5 - 89.0 (2.500 - 3.500)	M6x1-6H	11.9 (0.468)	6.4 (0.250)	L+J	17.5 (0.689)	—

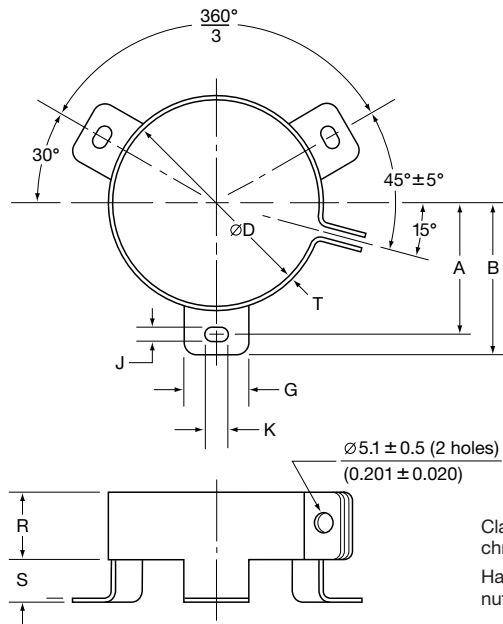
Mounting Hardware is optional. Refer to hardware specifications on the following page.

# U32D Series

## Mounting Hardware - Screw Terminals

### Type C: Three-Footed Clamp

Unit: mm (inches)

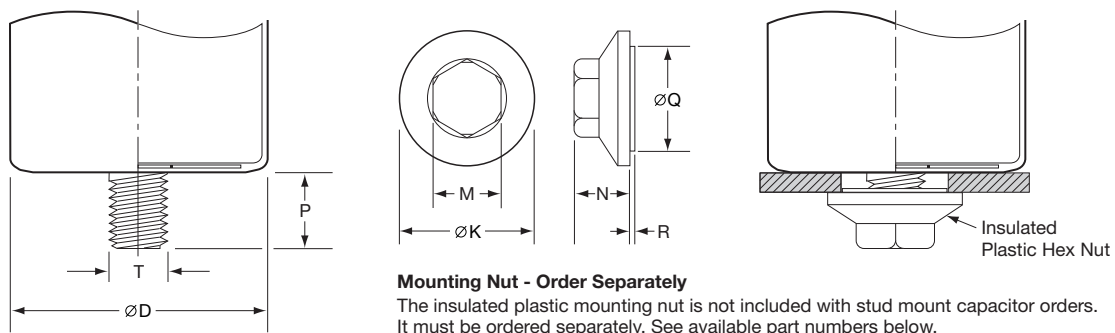


Clamp: Zinc with silver trivalent chromate post treatment.  
Hardware: Screw, washer and hexagon nut included with each clamp.

### Type C: Clamp Dimensions

Mounting Code	Case ØD	A ±1.0 (0.040)	B ±1.0 (0.040)	G ±1.0 (0.040)	J ±0.5 (0.020)	K ±0.5 (0.020)	R ±1.0 (0.040)	S ±1.0 (0.040)	T ±0.5 (0.020)
C	50.8 (2.000)	31.8 (1.250)	36.5 (1.437)	13.3 (0.524)	4.5 (0.177)	7.1 (0.280)	19.1 (0.751)	9.5 (0.374)	0.8 (0.032)
C	63.5 (2.500)	38.1 (1.500)	42.9 (1.689)	13.3 (0.524)	4.5 (0.177)	7.1 (0.280)	19.1 (0.751)	9.5 (0.374)	0.8 (0.032)
C	76.2 (3.000)	44.5 (1.750)	49.2 (1.937)	13.3 (0.524)	4.5 (0.177)	7.1 (0.280)	19.1 (0.751)	9.5 (0.374)	1.0 (0.040)
C	89.0 (3.500)	50.8 (2.000)	56.5 (2.224)	16.0 (0.630)	4.5 (0.177)	8.0 (0.313)	21.0 (0.827)	9.0 (0.354)	1.0 (0.040)

### Type S: Stud Mounting



#### Mounting Nut - Order Separately

The insulated plastic mounting nut is not included with stud mount capacitor orders. It must be ordered separately. See available part numbers below.

### Type S: Stud Dimensions

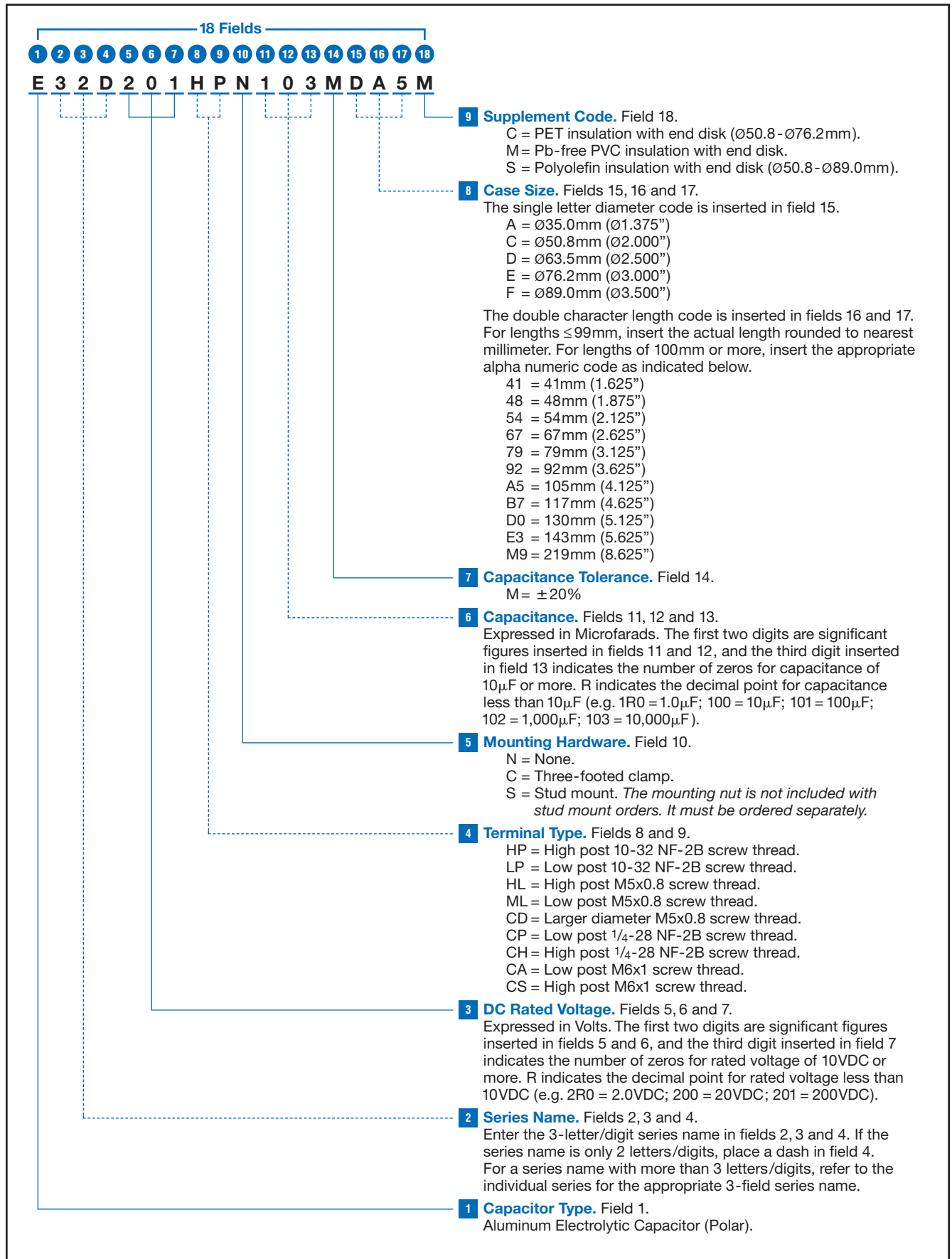
Mounting Code	P ±1.0 (0.040)	T Thread Size
S	16.0 (0.630)	M12

### Mounting Nut Dimensions

Part Number	ØK ±2.0 (0.080)	M ±1.0 (0.040)	N ±1.0 (0.040)	ØQ ±1.0 (0.040)	R ±1.0 (0.040)
50-8D	30.0 (1.181)	19.0 (0.748)	18.0 (0.709)	22.0 (0.866)	1.40 (0.055)
50-8E	38.0 (1.496)	19.0 (0.748)	18.0 (0.709)	30.0 (1.181)	1.40 (0.055)

# U32D Series

**Part Numbering System for U32D Series** When ordering, always specify complete 18-field global part number.



# U32D Series

## Standard Voltage Ratings - Screw Terminals

Rated Voltage (WVDC)	Capacitance (µF)	Global Part Number†	Nominal Case Size* D × L (mm)	Case Size Code	Maximum ESR (mΩ) at +25°C, 120Hz	Rated Ripple Current (A rms) at +85°C, 120Hz
<b>6.3 Volts</b> 8 Volts Surge	39,000	E32D6R3HPN393MA41M	35 × 41	A41	39.9	7.03
	68,000	E32D6R3HPN683MA54M	35 × 54	A54	24.0	9.62
	82,000	E32D6R3HPN823MA67M	35 × 67	A67	19.5	10.87
	120,000	E32D6R3HPN124MA79M	35 × 79	A79	14.5	13.76
	150,000	E32D6R3HPN154MA92M	35 × 92	A92	12.2	15.53
	180,000	E32D6R3HPN184MAA5M	35 × 105	AA5	11.8	18.10
	220,000	E32D6R3HPN224MAD0M	35 × 130	AD0	9.1	20.93
	82,000	E32D6R3HPN823MC48M	50.8 × 48	C48	22.1	11.19
	120,000	E32D6R3HPN124MC54M	50.8 × 54	C54	16.2	13.53
	180,000	E32D6R3HPN184MC67M	50.8 × 67	C67	11.3	17.11
	220,000	E32D6R3HPN224MC79M	50.8 × 79	C79	9.2	20.41
	330,000	E32D6R3HPN334MC92M	50.8 × 92	C92	7.7	24.76
	390,000	E32D6R3HPN394MCA5M	50.8 × 105	CA5	6.4	27.19
	470,000	E32D6R3HPN474MCB7M	50.8 × 117	CB7	6.0	30.87
	560,000	E32D6R3HPN564MCE3M	50.8 × 143	CE3	4.9	35.78
	390,000	E32D6R3HPN394MD79M	63.5 × 79	D79	8.7	22.54
	560,000	E32D6R3HPN564MDA5M	63.5 × 105	DA5	6.3	29.81
	820,000	E32D6R3HPN824MDB7M	63.5 × 117	DB7	5.7	32.97
	680,000	E32D6R3HPN684ME92M	76.2 × 92	E92	8.3	26.88
	820,000	E32D6R3HPN824MEA5M	76.2 × 105	EA5	7.2	30.40
1,000,000	E32D6R3HPN105MEB7M	76.2 × 117	EB7	6.6	33.32	
1,200,000	E32D6R3HPN125MED0M	76.2 × 130	ED0	6.1	36.04	
2,200,000	E32D6R3HPN225MEM9M	76.2 × 219	EM9	4.0	56.03	
<b>10 Volts</b> 13 Volts Surge	33,000	E32D100HPN333MA41M	35 × 41	A41	39.7	7.03
	56,000	E32D100HPN563MA54M	35 × 54	A54	24.3	9.55
	68,000	E32D100HPN683MA67M	35 × 67	A67	19.6	10.79
	100,000	E32D100HPN104MA79M	35 × 79	A79	14.6	13.71
	120,000	E32D100HPN124MA92M	35 × 92	A92	12.5	14.66
	150,000	E32D100HPN154MAB7M	35 × 117	AB7	10.4	18.83
	180,000	E32D100HPN184MAD0M	35 × 130	AD0	9.2	20.80
	68,000	E32D100HPN683MC48M	50.8 × 48	C48	22.2	11.13
	100,000	E32D100HPN104MC54M	50.8 × 54	C54	16.3	13.48
	150,000	E32D100HPN154MC67M	50.8 × 67	C67	11.4	17.11
	180,000	E32D100HPN184MC79M	50.8 × 79	C79	9.3	20.28
	270,000	E32D100HPN274MC92M	50.8 × 92	C92	7.8	24.76
	390,000	E32D100HPN394MCB7M	50.8 × 117	CB7	6.0	30.55
	470,000	E32D100HPN474MCE3M	50.8 × 143	CE3	4.9	35.78
	330,000	E32D100HPN334MD79M	63.5 × 79	D79	8.8	22.40
	470,000	E32D100HPN474MDA5M	63.5 × 105	DA5	6.4	29.81
	560,000	E32D100HPN564MDB7M	63.5 × 117	DB7	5.7	33.95
	680,000	E32D100HPN684MDD0M	63.5 × 130	DD0	5.3	36.68
	560,000	E32D100HPN564ME92M	76.2 × 92	E92	8.3	26.88
	680,000	E32D100HPN684MEA5M	76.2 × 105	EA5	7.2	30.40
820,000	E32D100HPN824MEB7M	76.2 × 117	EB7	6.5	33.32	
1,000,000	E32D100HPN105MED0M	76.2 × 130	ED0	6.1	36.04	
1,800,000	E32D100HPN185MEM9M	76.2 × 219	EM9	4.0	56.03	
<b>16 Volts</b> 20 Volts Surge	22,000	E32D160HPN223MA41M	35 × 41	A41	41.4	6.26
	39,000	E32D160HPN393MA54M	35 × 54	A54	27.3	8.68
	47,000	E32D160HPN473MA67M	35 × 67	A67	19.9	9.80
	68,000	E32D160HPN683MA79M	35 × 79	A79	15.0	12.48
	82,000	E32D160HPN823MA92M	35 × 92	A92	12.8	14.04
	100,000	E32D160HPN104MAA5M	35 × 105	AA5	11.1	16.47
	120,000	E32D160HPN124MAD0M	35 × 130	AD0	9.5	19.11
	150,000	E32D160HPN154MAE3M	35 × 143	AE3	9.3	21.33
	47,000	E32D160HPN473MC48M	50.8 × 48	C48	22.7	10.18
	68,000	E32D160HPN683MC54M	50.8 × 54	C54	16.7	12.38
	100,000	E32D160HPN104MC67M	50.8 × 67	C67	11.7	15.75
	120,000	E32D160HPN124MC79M	50.8 × 79	C79	9.6	18.66

† For terminal, mounting and construction options, refer to the part numbering system for descriptions and codes.

\* Refer to diagram of dimensions for detailed case size specifications.

# U32D Series

## Standard Voltage Ratings - Screw Terminals

Rated Voltage (WVDC)	Capacitance (µF)	Global Part Number†	Nominal Case Size* D × L (mm)	Case Size Code	Maximum ESR (mΩ) at +25°C, 120Hz	Rated Ripple Current (A rms) at +85°C, 120Hz
16 Volts 20 Volts Surge	180,000	E32D160HPN184MC92M	50.8 × 92	C92	7.5	22.89
	220,000	E32D160HPN224MCA5M	50.8 × 105	CA5	7.0	25.40
	270,000	E32D160HPN274MCB7M	50.8 × 117	CB7	6.1	28.80
	330,000	E32D160HPN334MCE3M	50.8 × 143	CE3	5.2	33.82
	220,000	E32D160HPN224MD79M	63.5 × 79	D79	8.9	21.75
	330,000	E32D160HPN334MDA5M	63.5 × 105	DA5	6.5	28.62
	390,000	E32D160HPN394MDB7M	63.5 × 117	DB7	5.9	32.66
	470,000	E32D160HPN474MDD0M	63.5 × 130	DD0	5.4	34.54
	390,000	E32D160HPN394ME92M	76.2 × 92	E92	8.5	26.07
	470,000	E32D160HPN474MEA5M	76.2 × 105	EA5	7.4	29.56
	560,000	E32D160HPN564MEB7M	76.2 × 117	EB7	6.7	32.56
	680,000	E32D160HPN684MED0M	76.2 × 130	ED0	6.2	35.45
	820,000	E32D160HPN824MEE3M	76.2 × 143	EE3	5.4	37.58
1,200,000	E32D160HPN125MEM9M	76.2 × 219	EM9	4.0	55.32	
25 Volts 32 Volts Surge	15,000	E32D250HPN153MA41M	35 × 41	A41	41.3	6.27
	22,000	E32D250HPN223MA54M	35 × 54	A54	27.7	8.20
	33,000	E32D250HPN333MA67M	35 × 67	A67	19.5	9.88
	47,000	E32D250HPN473MA79M	35 × 79	A79	16.6	12.53
	56,000	E32D250HPN563MA92M	35 × 92	A92	12.8	13.71
	68,000	E32D250HPN683MAA5M	35 × 105	AA5	12.3	16.47
	82,000	E32D250HPN823MAD0M	35 × 130	AD0	9.4	19.11
	33,000	E32D250HPN333MC48M	50.8 × 48	C48	22.4	10.23
	47,000	E32D250HPN473MC54M	50.8 × 54	C54	16.6	12.42
	68,000	E32D250HPN683MC67M	50.8 × 67	C67	11.7	15.68
	82,000	E32D250HPN823MC79M	50.8 × 79	C79	9.6	18.76
	120,000	E32D250HPN124MC92M	50.8 × 92	C92	7.6	22.73
	180,000	E32D250HPN184MCB7M	50.8 × 117	CB7	6.1	28.80
	220,000	E32D250HPN224MCE3M	50.8 × 143	CE3	5.3	33.82
	150,000	E32D250HPN154MD79M	63.5 × 79	D79	8.9	21.63
	220,000	E32D250HPN224MDA5M	63.5 × 105	DA5	6.5	28.62
	270,000	E32D250HPN274MDB7M	63.5 × 117	DB7	5.9	32.66
	330,000	E32D250HPN334MDE3M	63.5 × 143	DE3	4.9	37.88
	270,000	E32D250HPN274ME92M	76.2 × 92	E92	8.6	25.92
	330,000	E32D250HPN334MEA5M	76.2 × 105	EA5	7.5	29.16
390,000	E32D250HPN394MEB7M	76.2 × 117	EB7	6.8	32.31	
470,000	E32D250HPN474MED0M	76.2 × 130	ED0	6.3	35.16	
820,000	E32D250HPN824MEM9M	76.2 × 219	EM9	4.1	55.32	
35 Volts 44 Volts Surge	10,000	E32D350HPN103MA41M	35 × 41	A41	45.8	5.94
	18,000	E32D350HPN183MA54M	35 × 54	A54	26.7	8.33
	22,000	E32D350HPN223MA67M	35 × 67	A67	21.6	9.40
	33,000	E32D350HPN333MA79M	35 × 79	A79	15.7	12.14
	39,000	E32D350HPN393MA92M	35 × 92	A92	13.6	13.60
	47,000	E32D350HPN473MAA5M	35 × 105	AA5	11.8	15.95
	56,000	E32D350HPN563MAB7M	35 × 117	AB7	10.4	17.35
	68,000	E32D350HPN683MAE3M	35 × 143	AE3	8.9	20.57
	22,000	E32D350HPN223MC48M	50.8 × 48	C48	24.1	9.86
	33,000	E32D350HPN333MC54M	50.8 × 54	C54	17.4	12.15
	47,000	E32D350HPN473MC67M	50.8 × 67	C67	12.4	15.34
	68,000	E32D350HPN683MC79M	50.8 × 79	C79	9.4	18.76
	82,000	E32D350HPN823MC92M	50.8 × 92	C92	7.9	22.26
	100,000	E32D350HPN104MCA5M	50.8 × 105	CA5	6.9	24.82
	120,000	E32D350HPN124MCB7M	50.8 × 117	CB7	6.1	28.03
	150,000	E32D350HPN154MCE3M	50.8 × 143	CE3	5.2	33.12
	100,000	E32D350HPN104MD79M	63.5 × 79	D79	8.8	21.88
	150,000	E32D350HPN154MDA5M	63.5 × 105	DA5	6.5	28.84
	220,000	E32D350HPN224MDB7M	63.5 × 117	DB7	5.8	32.08

† For terminal, mounting and construction options, refer to the part numbering system for descriptions and codes.

\* Refer to diagram of dimensions for detailed case size specifications.



# U32D Series

## Standard Voltage Ratings - Screw Terminals

Rated Voltage (WVDC)	Capacitance (µF)	Global Part Number†	Nominal Case Size* D × L (mm)	Case Size Code	Maximum ESR (mΩ) at +25°C, 120Hz	Rated Ripple Current (A rms) at +85°C, 120Hz
<b>35 Volts 44 Volts Surge</b>	220,000	E32D350HPN224ME92M	76.2 × 92	E92	8.3	25.19
	270,000	E32D350HPN274MEB7M	76.2 × 117	EB7	6.6	32.81
	330,000	E32D350HPN334MED0M	76.2 × 130	ED0	6.2	35.45
	390,000	E32D350HPN394MEE3M	76.2 × 143	EE3	5.4	37.90
	560,000	E32D350HPN564MEM9M	76.2 × 219	EM9	4.0	56.03
<b>50 Volts 63 Volts Surge</b>	5,600	E32D500HPN562MA41M	35 × 41	A41	52.2	5.66
	10,000	E32D500HPN103MA54M	35 × 54	A54	30.3	7.25
	15,000	E32D500HPN153MA67M	35 × 67	A67	21.3	9.01
	18,000	E32D500HPN183MA79M	35 × 79	A79	17.9	10.92
	22,000	E32D500HPN223MA92M	35 × 92	A92	15.1	12.58
	27,000	E32D500HPN273MAA5M	35 × 105	AA5	12.9	15.23
	33,000	E32D500HPN333MAB7M	35 × 117	AB7	12.5	17.22
	39,000	E32D500HPN393MAE3M	35 × 143	AE3	9.7	20.56
	15,000	E32D500HPN153MC48M	50.8 × 48	C48	24.3	10.01
	18,000	E32D500HPN183MC54M	50.8 × 54	C54	19.4	11.50
	27,000	E32D500HPN273MC67M	50.8 × 67	C67	13.4	14.97
	39,000	E32D500HPN393MC79M	50.8 × 79	C79	10.1	19.30
	56,000	E32D500HPN563MC92M	50.8 × 92	C92	8.5	22.56
	68,000	E32D500HPN683MCB7M	50.8 × 117	CB7	6.5	27.67
	82,000	E32D500HPN823MCD0M	50.8 × 130	CD0	5.8	29.50
	100,000	E32D500HPN104MCE3M	50.8 × 143	CE3	5.6	34.03
	68,000	E32D500HPN683MD79M	63.5 × 79	D79	9.4	24.55
	100,000	E32D500HPN104MDA5M	63.5 × 105	DA5	6.8	31.43
	120,000	E32D500HPN124MDB7M	63.5 × 117	DB7	5.9	34.04
	150,000	E32D500HPN154MDE3M	63.5 × 143	DE3	5.1	37.63
120,000	E32D500HPN124ME92M	76.2 × 92	E92	8.9	33.88	
150,000	E32D500HPN154MEA5M	76.2 × 105	EA5	7.8	36.22	
180,000	E32D500HPN184MEB7M	76.2 × 117	EB7	6.5	38.22	
220,000	E32D500HPN224MEE3M	76.2 × 143	EE3	5.7	44.44	
330,000	E32D500HPN334MEM9M	76.2 × 219	EM9	4.0	65.97	
<b>63 Volts 79 Volts Surge</b>	4,700	E32D630HPN472MA41M	35 × 41	A41	57.1	5.18
	6,800	E32D630HPN682MA54M	35 × 54	A54	33.8	6.68
	10,000	E32D630HPN103MA67M	35 × 67	A67	23.9	7.36
	12,000	E32D630HPN123MA79M	35 × 79	A79	20.1	8.92
	15,000	E32D630HPN153MA92M	35 × 92	A92	16.6	10.39
	18,000	E32D630HPN183MAA5M	35 × 105	AA5	14.3	12.44
	22,000	E32D630HPN223MAB7M	35 × 117	AB7	12.3	14.06
	27,000	E32D630HPN273MAD0M	35 × 130	AD0	12.1	16.36
	10,000	E32D630HPN103MC48M	50.8 × 48	C48	26.7	8.18
	12,000	E32D630HPN123MC54M	50.8 × 54	C54	21.5	9.39
	22,000	E32D630HPN223MC67M	50.8 × 67	C67	14.8	13.52
	27,000	E32D630HPN273MC79M	50.8 × 79	C79	10.8	16.06
	39,000	E32D630HPN393MC92M	50.8 × 92	C92	9.1	20.62
	47,000	E32D630HPN473MCB7M	50.8 × 117	CB7	6.9	23.00
	56,000	E32D630HPN563MCD0M	50.8 × 130	CD0	6.2	26.34
	68,000	E32D630HPN683MCE3M	50.8 × 143	CE3	6.0	30.31
	47,000	E32D630HPN473MD79M	63.5 × 79	D79	9.6	22.05
	68,000	E32D630HPN683MDA5M	63.5 × 105	DA5	6.9	29.84
	82,000	E32D630HPN823MDB7M	63.5 × 117	DB7	6.2	29.93
	100,000	E32D630HPN104MDE3M	63.5 × 143	DE3	5.2	32.23
82,000	E32D630HPN823ME92M	76.2 × 92	E92	8.9	29.71	
100,000	E32D630HPN104MEA5M	76.2 × 105	EA5	7.7	34.67	
120,000	E32D630HPN124MEB7M	76.2 × 117	EB7	6.9	35.58	
150,000	E32D630HPN154MEE3M	76.2 × 143	EE3	5.7	39.63	
220,000	E32D630HPN224MEM9M	76.2 × 219	EM9	4.0	53.86	

† For terminal, mounting and construction options, refer to the part numbering system for descriptions and codes.

\* Refer to diagram of dimensions for detailed case size specifications.



# U32D Series

## Standard Voltage Ratings - Screw Terminals

Rated Voltage (WVDC)	Capacitance (µF)	Global Part Number†	Nominal Case Size* D × L (mm)	Case Size Code	Maximum ESR (mΩ) at +25°C, 120Hz	Rated Ripple Current (A rms) at +85°C, 120Hz
<b>80 Volts</b> 100 Volts Surge	2,200	E32D800HPN222MA41M	35 × 41	A41	67.0	4.09
	3,900	E32D800HPN392MA54M	35 × 54	A54	44.2	5.84
	4,700	E32D800HPN472MA67M	35 × 67	A67	31.7	6.51
	6,800	E32D800HPN682MA79M	35 × 79	A79	23.0	8.67
	8,200	E32D800HPN822MA92M	35 × 92	A92	19.5	9.92
	10,000	E32D800HPN103MAA5M	35 × 105	AA5	19.0	10.36
	12,000	E32D800HPN123MAD0M	35 × 130	AD0	14.0	12.19
	4,700	E32D800HPN472MC48M	50.8 × 48	C48	34.3	6.27
	6,800	E32D800HPN682MC54M	50.8 × 54	C54	24.6	7.90
	10,000	E32D800HPN103MC67M	50.8 × 67	C67	17.0	10.19
	12,000	E32D800HPN123MC79M	50.8 × 79	C79	14.0	11.97
	18,000	E32D800HPN183MC92M	50.8 × 92	C92	10.4	15.66
	22,000	E32D800HPN223MCA5M	50.8 × 105	CA5	9.9	18.36
	27,000	E32D800HPN273MCB7M	50.8 × 117	CB7	8.5	21.35
	33,000	E32D800HPN333MCE3M	50.8 × 143	CE3	7.2	25.86
	22,000	E32D800HPN223MD79M	63.5 × 79	D79	10.6	16.52
	33,000	E32D800HPN333MDA5M	63.5 × 105	DA5	7.6	22.84
	39,000	E32D800HPN393MDB7M	63.5 × 117	DB7	6.8	23.76
	47,000	E32D800HPN473MDD0M	63.5 × 130	DD0	6.1	25.31
	39,000	E32D800HPN393ME92M	76.2 × 92	E92	8.9	23.66
47,000	E32D800HPN473MEA5M	76.2 × 105	EA5	7.7	27.45	
56,000	E32D800HPN563MEB7M	76.2 × 117	EB7	6.9	31.38	
68,000	E32D800HPN683MED0M	76.2 × 130	ED0	6.4	33.51	
120,000	E32D800HPN124MEM9M	76.2 × 219	EM9	4.2	52.62	
<b>100 Volts</b> 125 Volts Surge	1,500	E32D101HPN152MA41M	35 × 41	A41	80.9	4.14
	2,700	E32D101HPN272MA54M	35 × 54	A54	45.9	5.95
	3,900	E32D101HPN392MA67M	35 × 67	A67	37.2	7.26
	4,700	E32D101HPN472MA79M	35 × 79	A79	27.1	8.82
	5,600	E32D101HPN562MA92M	35 × 92	A92	23.1	10.04
	6,800	E32D101HPN682MAA5M	35 × 105	AA5	19.5	11.03
	8,200	E32D101HPN822MAB7M	35 × 117	AB7	19.2	11.80
	10,000	E32D101HPN103MAE3M	35 × 143	AE3	14.1	13.44
	3,900	E32D101HPN392MC48M	50.8 × 48	C48	39.9	6.59
	4,700	E32D101HPN472MC54M	50.8 × 54	C54	28.7	7.59
	6,800	E32D101HPN682MC67M	50.8 × 67	C67	20.0	9.70
	10,000	E32D101HPN103MC79M	50.8 × 79	C79	14.5	12.62
	12,000	E32D101HPN123MC92M	50.8 × 92	C92	12.2	14.77
	15,000	E32D101HPN153MCA5M	50.8 × 105	CA5	10.2	17.51
	18,000	E32D101HPN183MCB7M	50.8 × 117	CB7	9.8	20.13
	22,000	E32D101HPN223MCE3M	50.8 × 143	CE3	7.5	24.38
	15,000	E32D101HPN153MD79M	63.5 × 79	D79	11.9	15.26
	22,000	E32D101HPN223MDA5M	63.5 × 105	DA5	8.5	20.85
	27,000	E32D101HPN273MDB7M	63.5 × 117	DB7	7.4	24.22
	33,000	E32D101HPN333MDD0M	63.5 × 130	DD0	6.6	28.05
39,000	E32D101HPN393MDE3M	63.5 × 143	DE3	6.3	31.82	
27,000	E32D101HPN273ME92M	76.2 × 92	E92	9.3	21.56	
33,000	E32D101HPN333MEA5M	76.2 × 105	EA5	8.0	25.20	
39,000	E32D101HPN393MEB7M	76.2 × 117	EB7	7.2	28.69	
47,000	E32D101HPN473MED0M	76.2 × 130	ED0	6.6	30.09	
56,000	E32D101HPN563MEE3M	76.2 × 143	EE3	6.1	34.25	
82,000	E32D101HPN823MEM9M	76.2 × 219	EM9	4.3	50.23	
<b>160 Volts</b> 200 Volts Surge	820	E32D161HPN821MA41M	35 × 41	A41	184.8	2.50
	1,500	E32D161HPN152MA54M	35 × 54	A54	101.2	3.62
	1,800	E32D161HPN182MA67M	35 × 67	A67	83.3	4.03
	2,700	E32D161HPN272MA79M	35 × 79	A79	56.8	5.46
	3,900	E32D161HPN392MAA5M	35 × 105	AA5	40.0	7.47
	4,700	E32D161HPN472MAD0M	35 × 130	AD0	33.4	8.81
	5,600	E32D161HPN562MAE3M	35 × 143	AE3	28.6	10.06

† For terminal, mounting and construction options, refer to the part numbering system for descriptions and codes.

\* Refer to diagram of dimensions for detailed case size specifications.

# U32D Series

## Standard Voltage Ratings - Screw Terminals

Rated Voltage (WVDC)	Capacitance (µF)	Global Part Number†	Nominal Case Size* D × L (mm)	Case Size Code	Maximum ESR (mΩ) at +25°C, 120Hz	Rated Ripple Current (A rms) at +85°C, 120Hz
----------------------	------------------	---------------------	-------------------------------	----------------	----------------------------------	--

<b>160 Volts 200 Volts Surge</b>	2,200	E32D161HPN222MC48M	50.8 × 48	C48	74.6	4.29
	2,700	E32D161HPN272MC54M	50.8 × 54	C54	59.6	4.98
	3,900	E32D161HPN392MC67M	50.8 × 67	C67	41.1	6.36
	5,600	E32D161HPN562MC79M	50.8 × 79	C79	29.4	8.18
	6,800	E32D161HPN682MC92M	50.8 × 92	C92	24.0	9.63
	8,200	E32D161HPN822MCA5M	50.8 × 105	CA5	20.5	11.21
	10,000	E32D161HPN103MCB7M	50.8 × 117	CB7	17.0	12.99
	12,000	E32D161HPN123MCE3M	50.8 × 143	CE3	14.3	15.60
	8,200	E32D161HPN822MD79M	63.5 × 79	D79	22.6	11.28
	12,000	E32D161HPN123MDA5M	63.5 × 105	DA5	15.8	15.40
	18,000	E32D161HPN183MDB7M	63.5 × 117	DB7	11.8	19.77
	18,000	E32D161HPN183ME92M	76.2 × 92	E92	14.7	19.68
	22,000	E32D161HPN223MEB7M	76.2 × 117	EB7	11.3	24.09
	27,000	E32D161HPN273MED0M	76.2 × 130	ED0	9.9	27.93
47,000	E32D161HPN473MEM9M	76.2 × 219	EM9	6.2	46.58	

<b>200 Volts 250 Volts Surge</b>	680	E32D201HPN681MA41M	35 × 41	A41	192.4	2.28
	1,000	E32D201HPN102MA54M	35 × 54	A54	128.5	2.96
	1,500	E32D201HPN152MA67M	35 × 67	A67	86.3	3.68
	1,800	E32D201HPN182MA79M	35 × 79	A79	71.8	4.46
	2,200	E32D201HPN222MA92M	35 × 92	A92	59.1	5.14
	2,700	E32D201HPN272MAA5M	35 × 105	AA5	48.7	6.22
	3,300	E32D201HPN332MAB7M	35 × 117	AB7	40.4	7.03
	3,900	E32D201HPN392MAD0M	35 × 130	AD0	34.7	8.03
	1,500	E32D201HPN152MC48M	50.8 × 48	C48	110.7	4.09
	2,200	E32D201HPN222MC54M	50.8 × 54	C54	63.1	5.19
	3,300	E32D201HPN332MC67M	50.8 × 67	C67	42.2	6.76
	3,900	E32D201HPN392MC79M	50.8 × 79	C79	35.2	7.88
	5,600	E32D201HPN562MC92M	50.8 × 92	C92	25.1	10.09
	8,200	E32D201HPN822MCB7M	50.8 × 117	CB7	17.8	13.59
	10,000	E32D201HPN103MCE3M	50.8 × 143	CE3	14.8	16.44
	6,800	E32D201HPN682MD79M	63.5 × 79	D79	23.6	10.27
	10,000	E32D201HPN103MDA5M	63.5 × 105	DA5	16.5	14.06
	12,000	E32D201HPN123MDB7M	63.5 × 117	DB7	13.8	16.14
	15,000	E32D201HPN153MDE3M	63.5 × 143	DE3	11.5	19.74
	12,000	E32D201HPN123ME92M	76.2 × 92	E92	16.4	16.07
	15,000	E32D201HPN153MEA5M	76.2 × 105	EA5	13.7	18.99
	18,000	E32D201HPN183MEB7M	76.2 × 117	EB7	11.9	21.79
	22,000	E32D201HPN223MEE3M	76.2 × 143	EE3	9.8	26.29
	33,000	E32D201HPN333MEM9M	76.2 × 219	EM9	6.8	39.03

<b>250 Volts 300 Volts Surge</b>	470	E32D251HPN471MA41M	35 × 41	A41	273.0	1.89
	820	E32D251HPN821MA54M	35 × 54	A54	155.3	2.68
	1,200	E32D251HPN122MA67M	35 × 67	A67	106.5	3.29
	1,500	E32D251HPN152MA79M	35 × 79	A79	85.3	3.53
	1,800	E32D251HPN182MA92M	35 × 92	A92	71.3	4.02
	2,200	E32D251HPN222MAA5M	35 × 105	AA5	58.8	4.86
	2,700	E32D251HPN272MAB7M	35 × 117	AB7	48.5	5.51
	3,300	E32D251HPN332MAE3M	35 × 143	AE3	40.0	6.69
	1,200	E32D251HPN122MC48M	50.8 × 48	C48	112.1	3.17
	1,500	E32D251HPN152MC54M	50.8 × 54	C54	88.4	3.71
	2,200	E32D251HPN222MC67M	50.8 × 67	C67	60.1	4.78
	3,300	E32D251HPN332MC79M	50.8 × 79	C79	41.0	6.28
	3,900	E32D251HPN392MC92M	50.8 × 92	C92	34.6	7.29
	4,700	E32D251HPN472MCA5M	50.8 × 105	CA5	29.0	8.49
	5,600	E32D251HPN562MCB7M	50.8 × 117	CB7	24.7	9.72
	6,800	E32D251HPN682MCD0M	50.8 × 130	CD0	20.7	11.24
	5,600	E32D251HPN562MD79M	63.5 × 79	D79	27.7	9.32
	8,200	E32D251HPN822MDA5M	63.5 × 105	DA5	19.3	12.73

† For terminal, mounting and construction options, refer to the part numbering system for descriptions and codes.

\* Refer to diagram of dimensions for detailed case size specifications.

# U32D Series

## Standard Voltage Ratings - Screw Terminals

Rated Voltage (WVDC)	Capacitance (µF)	Global Part Number†	Nominal Case Size* D × L (mm)	Case Size Code	Maximum ESR (mΩ) at +25°C, 120Hz	Rated Ripple Current (A rms) at +85°C, 120Hz
250 Volts 300 Volts Surge	10,000	E32D251HPN103MDB7M	63.5 × 117	DB7	18.5	14.74
	12,000	E32D251HPN123MDE3M	63.5 × 143	DE3	13.6	17.65
	10,000	E32D251HPN103ME92M	76.2 × 92	E92	18.8	14.67
	12,000	E32D251HPN123MEA5M	76.2 × 105	EA5	15.9	16.99
	15,000	E32D251HPN153MED0M	76.2 × 130	ED0	12.7	20.82
	18,000	E32D251HPN183MEE3M	76.2 × 143	EE3	11.2	23.78
	27,000	E32D251HPN273MEM9M	76.2 × 219	EM9	7.7	35.30
315 Volts 365 Volts Surge	220	E32D3B1HPN221MA41M	35 × 41	A41	750.3	1.59
	330	E32D3B1HPN331MA54M	35 × 54	A54	492.0	2.08
	470	E32D3B1HPN471MA67M	35 × 67	A67	343.8	2.52
	680	E32D3B1HPN681MA79M	35 × 79	A79	237.8	3.36
	820	E32D3B1HPN821MA92M	35 × 92	A92	197.2	3.14
	1,000	E32D3B1HPN102MAA5M	35 × 105	AA5	161.9	8.46
	1,200	E32D3B1HPN122MAD0M	35 × 130	AD0	134.9	9.96
	470	E32D3B1HPN471MC48M	50.8 × 48	C48	354.0	2.80
	680	E32D3B1HPN681MC54M	50.8 × 54	C54	243.1	3.53
	1,000	E32D3B1HPN102MC67M	50.8 × 67	C67	164.1	3.72
	1,200	E32D3B1HPN122MC79M	50.8 × 79	C79	135.9	4.37
	1,800	E32D3B1HPN182MC92M	50.8 × 92	C92	91.0	5.72
	2,200	E32D3B1HPN222MCA5M	50.8 × 105	CA5	75.0	6.70
	2,700	E32D3B1HPN272MCB7M	50.8 × 117	CB7	61.3	7.80
	3,300	E32D3B1HPN332MCE3M	50.8 × 143	CE3	50.3	9.44
	2,200	E32D3B1HPN222MD79M	63.5 × 79	D79	77.0	6.75
	3,300	E32D3B1HPN332MDA5M	63.5 × 105	DA5	51.7	9.32
	3,900	E32D3B1HPN392MDB7M	63.5 × 117	DB7	43.7	10.63
	4,700	E32D3B1HPN472MDD0M	63.5 × 130	DD0	36.9	12.22
	3,900	E32D3B1HPN392ME92M	76.2 × 92	E92	45.7	10.58
4,700	E32D3B1HPN472MEA5M	76.2 × 105	EA5	38.2	12.28	
5,600	E32D3B1HPN562MEB7M	76.2 × 117	EB7	32.4	14.03	
6,800	E32D3B1HPN682MED0M	76.2 × 130	ED0	27.2	16.19	
8,200	E32D3B1HPN822MEE3M	76.2 × 143	EE3	23.1	18.53	
12,000	E32D3B1HPN123MEM9M	76.2 × 219	EM9	16.0	27.17	
350 Volts 400 Volts Surge	180	E32D351HPN181MA41M	35 × 41	A41	882.3	1.43
	330	E32D351HPN331MA54M	35 × 54	A54	475.0	2.08
	470	E32D351HPN471MA67M	35 × 67	A67	332.0	2.52
	560	E32D351HPN561MA79M	35 × 79	A79	277.6	3.05
	680	E32D351HPN681MA92M	35 × 92	A92	228.5	3.36
	820	E32D351HPN821MAA5M	35 × 105	AA5	189.6	3.43
	1,000	E32D351HPN102MAB7M	35 × 117	AB7	156.0	3.87
	1,200	E32D351HPN122MAD0M	35 × 130	AD0	130.0	4.45
	470	E32D351HPN471MC48M	50.8 × 48	C48	342.0	2.80
	680	E32D351HPN681MC54M	50.8 × 54	C54	235.0	3.53
	1,000	E32D351HPN102MC67M	50.8 × 67	C67	156.0	3.72
	1,200	E32D351HPN122MC79M	50.8 × 79	C79	131.3	4.37
	1,800	E32D351HPN182MC92M	50.8 × 92	C92	88.0	5.72
	2,200	E32D351HPN222MCB7M	50.8 × 117	CB7	71.9	7.04
	2,700	E32D351HPN272MCD0M	50.8 × 130	CD0	59.0	8.18
	2,200	E32D351HPN222MD79M	63.5 × 79	D79	75.0	6.75
	3,300	E32D351HPN332MDA5M	63.5 × 105	DA5	50.0	9.32
	3,900	E32D351HPN392MDB7M	63.5 × 117	DB7	42.0	10.63
	4,700	E32D351HPN472MDE3M	63.5 × 143	DE3	35.0	12.76
	3,900	E32D351HPN392ME92M	76.2 × 92	E92	44.0	10.58
4,700	E32D351HPN472MEA5M	76.2 × 105	EA5	37.0	12.28	
5,600	E32D351HPN562MEB7M	76.2 × 117	EB7	32.0	14.03	
6,800	E32D351HPN682MED0M	76.2 × 130	ED0	27.0	16.19	
10,000	E32D351HPN103MEM9M	76.2 × 219	EM9	17.9	24.81	

† For terminal, mounting and construction options, refer to the part numbering system for descriptions and codes.

\* Refer to diagram of dimensions for detailed case size specifications.

# U32D Series

## Standard Voltage Ratings - Screw Terminals

Rated Voltage (WVDC)	Capacitance (µF)	Global Part Number†	Nominal Case Size* D × L (mm)	Case Size Code	Maximum ESR (mΩ) at +25°C, 120Hz	Rated Ripple Current (A rms) at +85°C, 120Hz
<b>350 Volts</b> 400 Volts Surge	5,600	E32D351CPN562MFA5M	89 × 105	FA5	35.0	15.40
	6,800	E32D351CPN682MFB7M	89 × 117	FB7	30.0	17.28
	8,200	E32D351CPN822MFE3M	89 × 143	FE3	24.0	21.00
<b>400 Volts</b> 450 Volts Surge	180	E32D401HPN181MA41M	35 × 41	A41	806.0	1.43
	270	E32D401HPN271MA54M	35 × 54	A54	528.4	1.88
	390	E32D401HPN391MA67M	35 × 67	A67	364.1	2.30
	470	E32D401HPN471MA79M	35 × 79	A79	301.2	2.79
	680	E32D401HPN681MA92M	35 × 92	A92	209.0	2.86
	820	E32D401HPN821MAB7M	35 × 117	AB7	172.9	3.50
	1,000	E32D401HPN102MAD0M	35 × 130	AD0	142.0	4.06
	390	E32D401HPN391MC48M	50.8 × 48	C48	374.9	2.55
	560	E32D401HPN561MC54M	50.8 × 54	C54	259.0	3.21
	820	E32D401HPN821MC67M	50.8 × 67	C67	176.0	3.37
	1,000	E32D401HPN102MC79M	50.8 × 79	C79	143.3	3.99
	1,500	E32D401HPN152MC92M	50.8 × 92	C92	96.0	5.22
	2,200	E32D401HPN222MCB7M	50.8 × 117	CB7	66.0	7.04
	2,700	E32D401HPN272MCE3M	50.8 × 143	CE3	54.0	8.54
	1,800	E32D401HPN182MD79M	63.5 × 79	D79	82.0	6.10
	2,700	E32D401HPN272MDA5M	63.5 × 105	DA5	55.0	8.43
	3,300	E32D401HPN332MDB7M	63.5 × 117	DB7	45.4	9.78
	3,900	E32D401HPN392MDD0M	63.5 × 130	DD0	39.0	11.13
	3,300	E32D401HPN332ME92M	76.2 × 92	E92	48.0	9.73
	3,900	E32D401HPN392MEA5M	76.2 × 105	EA5	40.3	11.18
	4,700	E32D401HPN472MEB7M	76.2 × 117	EB7	34.0	12.86
	5,600	E32D401HPN562MED0M	76.2 × 130	ED0	29.0	14.69
	10,000	E32D401HPN103MEM9M	76.2 × 219	EM9	17.0	24.81
4,700	E32D401CPN472MFA5M	89 × 105	FA5	36.0	15.19	
5,600	E32D401CPN562MFB7M	89 × 117	FB7	32.0	16.73	
6,800	E32D401CPN682MFE3M	89 × 143	FE3	25.0	20.58	

† For terminal, mounting and construction options, refer to the part numbering system for descriptions and codes.

\* Refer to diagram of dimensions for detailed case size specifications.